

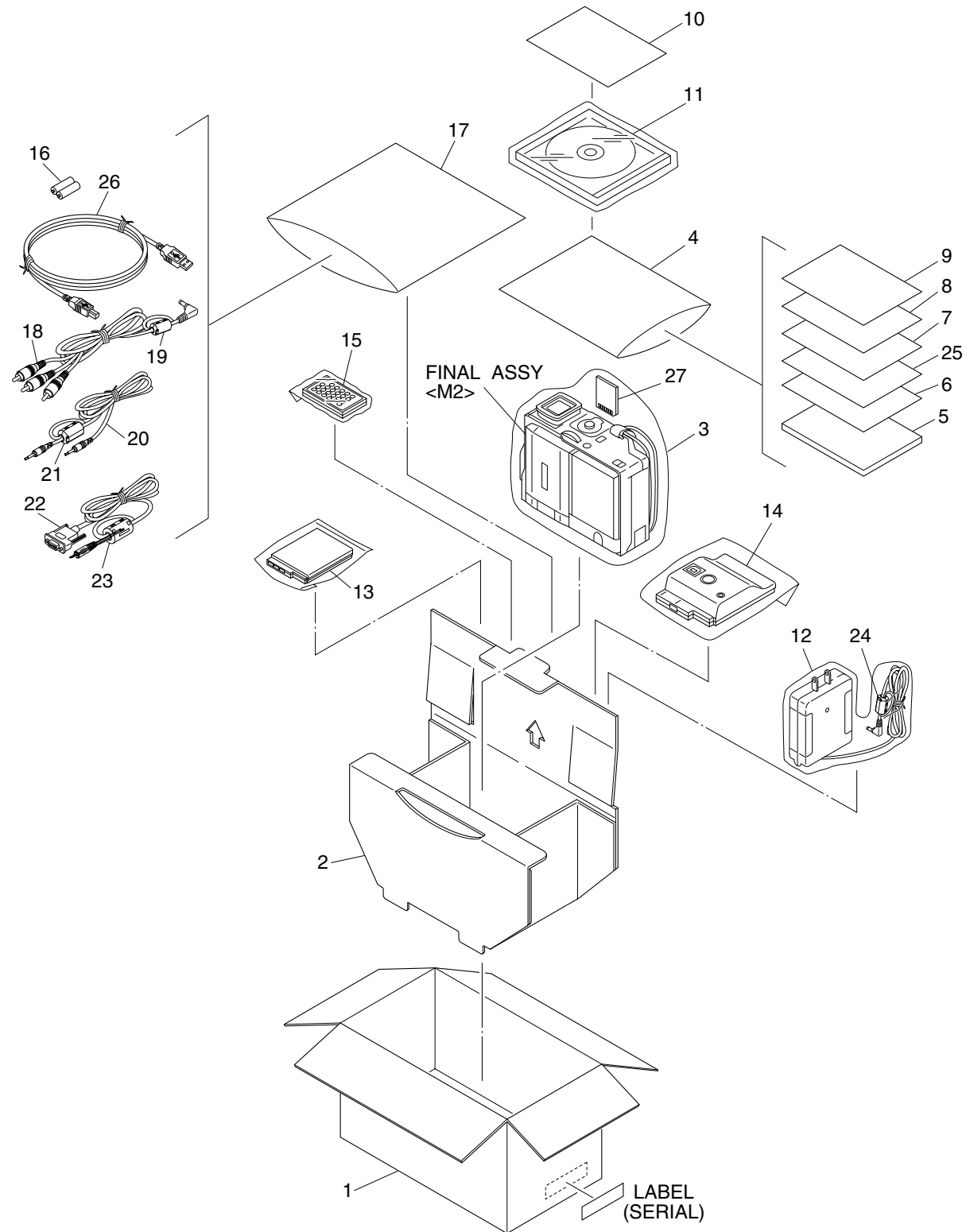
SECTION 5 PARTS LIST

SAFETY PRECAUTION

Parts identified by the \triangle symbol are critical for safety. Replace only with specified part numbers.

5.1 PACKING AND ACCESSORY ASSEMBLY <M1>

The instruction manual to be provided with this product will differ according to the destination.

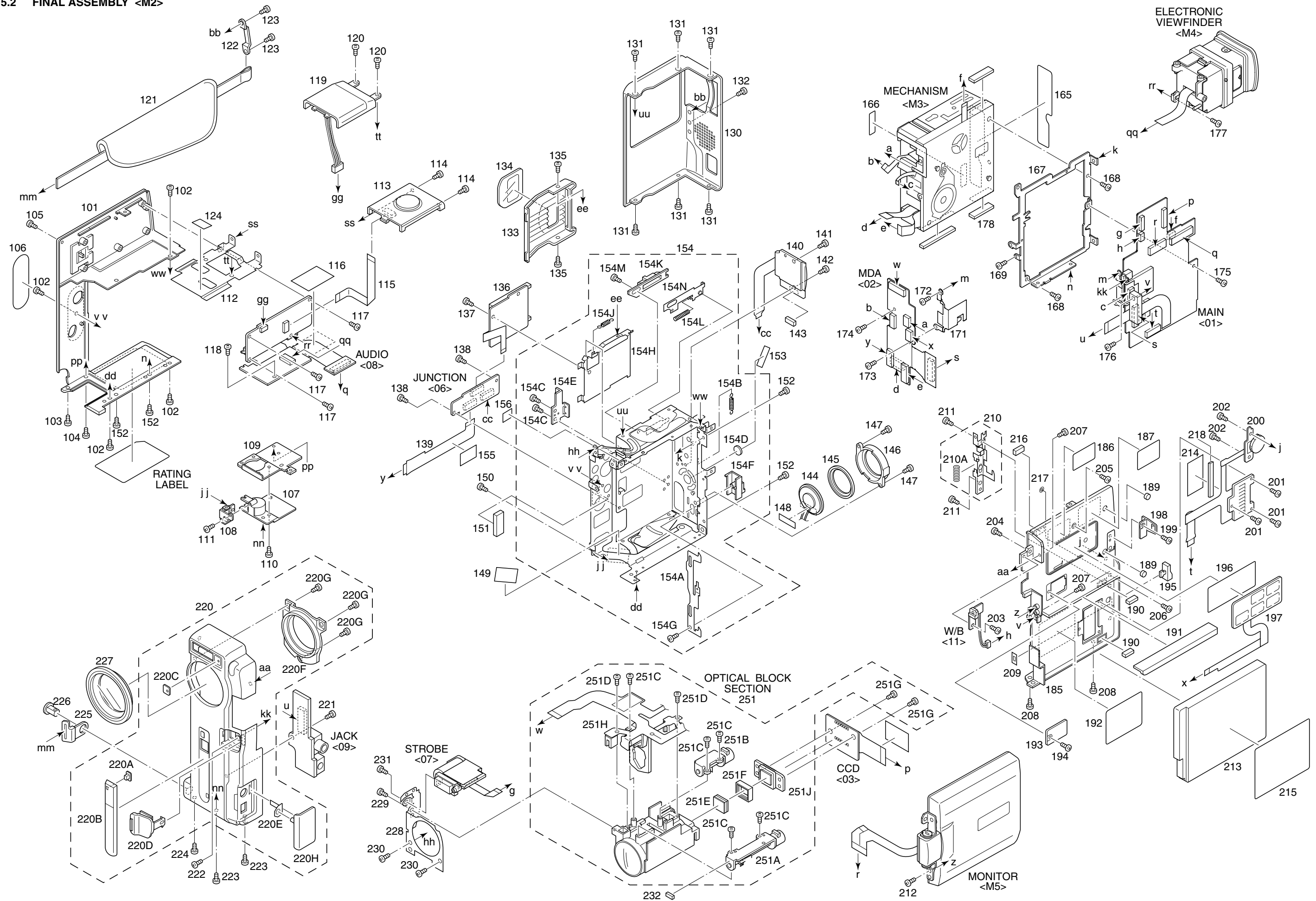


\triangle REF No. PART No. PART NAME, DESCRIPTION

PACKING AND ACCESSORY ASSEMBLY <M1>

1	LY31717-022A	PACKING CASE,DVM75U
	LY31717-023A	PACKING CASE,DVM55U
2	LY20588-001A	CUSHION
3	LY30023-003A	POLY BAG
4	QPA02003006	POLY BAG
\triangle 5	LYT0735-002B	INST.BOOK(FR)
\triangle 6	LYT0735-003B	INST.BOOK(SP)
\triangle 7	LYT0735-001C	INST.BOOK(EN)
\triangle 8	LYT0588-001A	INST.BOOK(SOFT.SETUP),DVM55U
9	LYT0378-003A	SHEET(AGREMENT)
10	YU10350	Q.CARD(JCA)
11	BT-51005-4	WARRANTY INF.
12	BT-51020-2	REGIST.CARD
13	LY32210-002A	CD ROM,DVM55U
14	LY32210-004A	CD ROM,DVM75U
\triangle 15	LY20739-001A	AC ADAPTER,AP-V10U
\triangle 16	LY31174-006A	BATTERY PACK,BN-V507U
17	LY32142-001A	JACK BOX,CU-V506,DVM75U
18	LY32142-002A	JACK BOX,CU-V505,DVM55U
19	LY20750-001A	REMOTE CONTROL UNIT,RM-V717U
20	-	BATTERY,AAA(R03),X2
21	QPA01703005	POLY BAG
22	QAM0346-001	CABLE ASSY,AUDIO/VIDEO CABLE
23	QQR0918-002	CORE FILTER,DVM55U
24	QAM0214-001	RM (EDITING)CABLE,DVM55U
25	PEAC0428-150	CABLE ASSY,EDITING CABLE,DVM75U
26	QQR0491-002	CORE FILTER,DVM55U
27	QAM0084-001	PC CONNECTION CABLE,DVM55U
28	QQR0918-002	CORE FILTER,DVM55U
29	QQR0491-002	CORE FILTER,DVM55U
\triangle 30	LYT0738-001A	INST.BOOK(SOFT.3LANG),DVM75U
31	QAM0322-001	USB CABLE,DVM75U
32	QAM0262-002	MEMORY CARD,DVM75U

5.2 FINAL ASSEMBLY <M2>

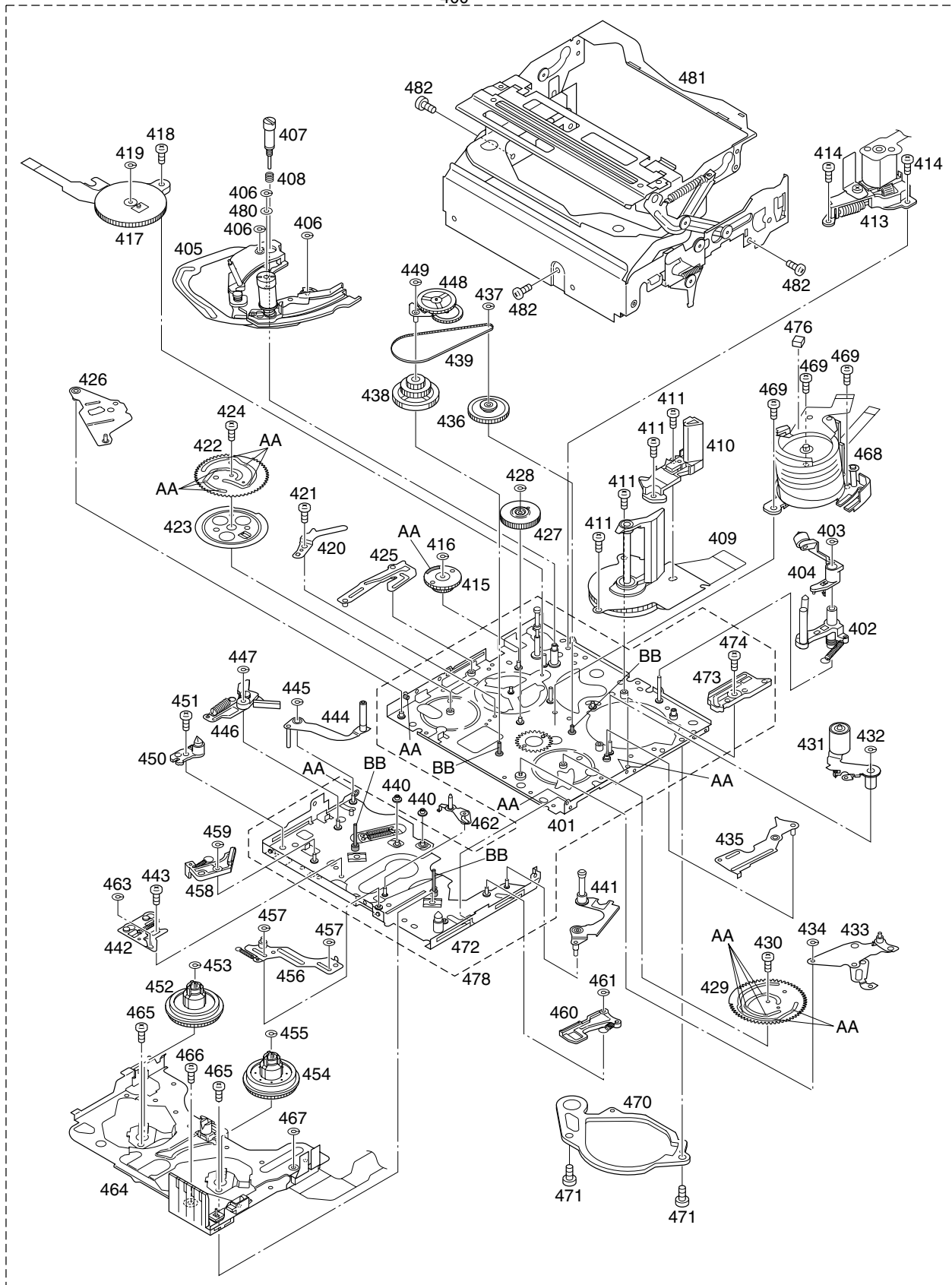


#	△ REF No.	PART No.	PART NAME, DESCRIPTION	#	△ REF No.	PART No.	PART NAME, DESCRIPTION

FINAL ASSEMBLY <M2>							
△	101	LY20727-001A	LOWER CASE ASSY,DVM75U	172		YQ43893-4	MINI SCREW
		LY10287-002A	LOWER CASE,DVM55U	173		QYSPSPT1735R	SCREW
	102	LY30018-006B	SPECIAL SCREW,X4	174		LY30018-070A	SPECIAL SCREW
	103	QYSPSPT1740R	SCREW	175		QYSPSPT1735R	SCREW
	104	QYSPSPT1720R	SCREW	176		QYSPSPT1735R	SCREW
	105	QYSPSPT1735R	SCREW	177		LY30018-060A	SPECIAL SCREW
	106	LY42911-001A	SHEET	178		LY41430-005A	SPACER
	107	LY32141-001A	BASE(T.P.)	185		LY10289-001A	UPPER CASE
	108	LY42912-001A	BRACKET(BASE)1	186		LY42163-003A	SHEET(CAUTION)2
	109	LY42291-001B	BRACKET(BASE)2	187		LY41701-002A	SHEET(CAUTION)1
	110	QYSPSPT1740R	SCREW	189		LY42350-001A	FOOT,X2
	111	LY30018-063A	SPECIAL SCREW	190		LY30029-091A	SPACER(A),X2
	112	LY32149-001A	BRACKET(TOP)	191		LY42906-001A	PLATE,DVM75U
	113	LY32133-001A	DECK OPE ASSY			LY42906-002A	PLATE,DVM55U
	114	QYSPSPT1735R	SCREW,X2	192		LY43007-001A	LABEL(UPPER)
	115	WJT0034-001A	E-CARD WIRE,AUDIO CN803-DECK OPE.	193		LY41393-004A	COVER(JIG CONN)
	116	LY30029-0E5A	SPACER(A)	194		LY30018-070A	SPECIAL SCREW
	117	LY30018-020A	SPECIAL SCREW,X3	195		LY31102-001A	KNOB(LOCK)
	118	LY30018-006B	SPECIAL SCREW	196		LY42406-002A	SHEET,DVM55U
	119	LY31093-004A	MIC UNIT	197		LY32170-001A	SUB OPE.ASSY,DVM75U
	120	LY30018-060A	SPECIAL SCREW,X2	198		LY31682-001B	LOCK(MONITOR)
	121	LY32132-001A	GRIP BELT	199		LY30018-0B8A	SPECIAL SCREW
	122	LY41588-001A	HOOK(OPE)	200		LY32191-001A	FPC ASSY(J.BOX)
	123	LY30018-0B5A	SPECIAL SCREW,X2	201		LY30018-065A	SPECIAL SCREW,X3
	124	LY30016-040B	SPACER-A	202		QYSPSPT1740R	SCREW,X2
	130	LY10288-001A	CASSETTE COVER,DVM75U	203		QYSPSPT1735R	SCREW
		LY10288-002A	CASSETTE COVER,DVM55U	204		LY30018-068A	SPECIAL SCREW
	131	LY30018-006B	SPECIAL SCREW,X6	205		LY30018-060A	SPECIAL SCREW
	132	LY30018-0B5A	SPECIAL SCREW	206		LY30018-070A	SPECIAL SCREW
	133	LY32131-001B	COVER(SD),DVM75U	207		QYSPSGT1780R	SCREW,X2
	134	LY42905-001B	WINDOW,DVM75U	208		QYSPSPT1735R	SCREW,X2
	135	QYSPSPT1715R	SCREW,X2,DVM75U	209		LY41397-001A	PLATE(KNOB)
	136	LY32189-001B	FPC ASSY(SD),DVM75U	210		LY42270-001A	BATTERY LOCK ASSY
	137	QYSPSPT1720R	SCREW,DVM75U	210A		LY30002-015A	COMPRESSION SPRING
	138	QYSPSPT1720R	SCREW,X2	211		QYSPSPT1725Z	SCREW,X2
	139	QAL0304-002	FPC,JUNC CN601-MDA CN208	212		LY30018-0B9A	SPECIAL SCREW
	140	LY20730-001A	CAMERA OPE UNIT	213		LY31127-002A	DUMMY BATTERY
	141	QYSPSPT1750Z	SCREW	214		LY30029-0H9A	SPACER(A)
	142	LY30018-0C3A	SPECIAL SCREW	215		LY43130-001A	STICKER,DVM75U
	143	LY43096-001A	SPACER(C.OPE)			LY43130-005A	STICKER,DVM55U
	144	QAS0076-001	SPEAKER,TO JUNCTION PWB	216		LY30029-0H7A	SPACER(A),DVM55U
	145	LY40301-001A	SPACER(SPK)			LY30029-0H7B	SPACER(A),DVM75U
	146	LY32168-001A	HOLDER(SPK)	217		LY41836-001A	SPACER
	147	LY30018-096A	SPECIAL SCREW,X2	218		LY30029-0K1A	SPACER(A),DVM75U
	148	LY30029-086A	SPACER(A)	220		LY20731-001C	FRONT COVER ASSY,DVM75U
	149	LY30029-0H4B	SPACER(A)			LY20731-002C	FRONT COVER ASSY,DVM55U
	150	LY30018-070A	SPECIAL SCREW	220A		LY42276-001B	INDICATOR
	151	LY30016-0H5A	SPACER-A	220B		LY42909-001A	WINDOW (IR)
	152	LY30018-070A	SPECIAL SCREW,X4	220C		LY42278-001A	WINDOW(STB),DVM75U
	153	LY30029-074A	SPACER(A)	220D		LY32135-001A	COVER (DV)
	154	LY20736-001C	ARM ASSY,DVM75U	220E		LY42286-001A	HINGE(AV)
		LY20736-002B	ARM ASSY,DVM55U	220F		LY32137-001A	COVER (FRONT)
	154A	LY31665-001A	PLATE(LOCK)	220G		QYSPSGT1735Z	SCREW,X3
	154B	LY30001-023A	TENSION SPRING	220H		LY32136-006A	COVER (AV),DVM75U
	154C	LY30018-056A	SPECIAL SCREW,X2			LY32136-007A	COVER (AV),DVM55U
	154D	LY42268-001A	SPACER(SPK)	221		QYSPSGT1740Z	SCREW
	154E	LY32156-001A	BRACKET(HOOK)	222		LY30018-0B8A	SPECIAL SCREW
	154F	LY31676-002A	KNOB(EJECT)	223		QYSPSPT1735R	SCREW,X2
	154G	LY30018-015A	SPECIAL SCREW	224		LY30019-022A	SPECIAL SCREW
	154H	LY32129-001A	BRACKET(HINGE),DVM75U	225		LY31691-001B	HOOK
	154J	LY30001-024A	TENSION SPRING,DVM75U	226		LY42910-001A	STUD(HOOK)
	154K	LY42900-001A	KNOB,DVM75U	227		LY32138-001A	HOOD ASSY
	154L	LY30002-051A	COMPRESSION SPRING,DVM75U	228		LY32140-001A	BRACKET(OP)
	154M	LY30019-028A	SPECIAL SCREW,DVM75U	229		QYSPSGT1735Z	SCREW
	154N	LY42902-001A	PLATE(KNOB),DVM75U	230		LY30018-070A	SPECIAL SCREW,X2
	155	LY30029-0J2B	SPACER(A)	231		QYSPSGT1735Z	SCREW,DVM75U
	156	LY30029-0J3A	SPACER(A)	232		LY30029-0H3A	SPACER(A),DVM75U
	165	LY40698-002A	LABEL(HOUSING)	- OPTICAL BLOCK SECTION -			
	166	LY40699-002A	LABEL(PUSH)	251		J7A-143A	OPTICAL BLOCK ASSY
	167	LY20732-001A	BRACKET(MECHA)	251A		LY30723-001B	ZOOM MOTOR
	168	LY30019-026A	SPECIAL SCREW,X2	251B		LY30724-001B	FOCUS MOTOR
	169	YQ43893-4	MINI SCREW	251C		LY30727-002A	SCREW,X5
	171	LY31696-001A	SHIELD PLATE	251D		LY30727-001A	SCREW,X2
				251E		LY42936-001A	OPTICAL LPF
				251F		LY31639-001A	SPACER RUBBER
				251G		QYSPSGU1750Z	SCREW,X2
				251H		LY32196-001A	IRIS MOTOR
				251J		YS40168E	CCD BASE ASSY

5.3 MECHANISM ASSEMBLY <M3>

400



Classification	Part No.	Symbol in drawing
Grease	KYODO-SH-P	AA
Oil	YTU94027	BB

NOTE:The section marked in **AA** and **BB** indicate lubrication and greasing areas.

▲ REF No. PART No. PART NAME, DESCRIPTION

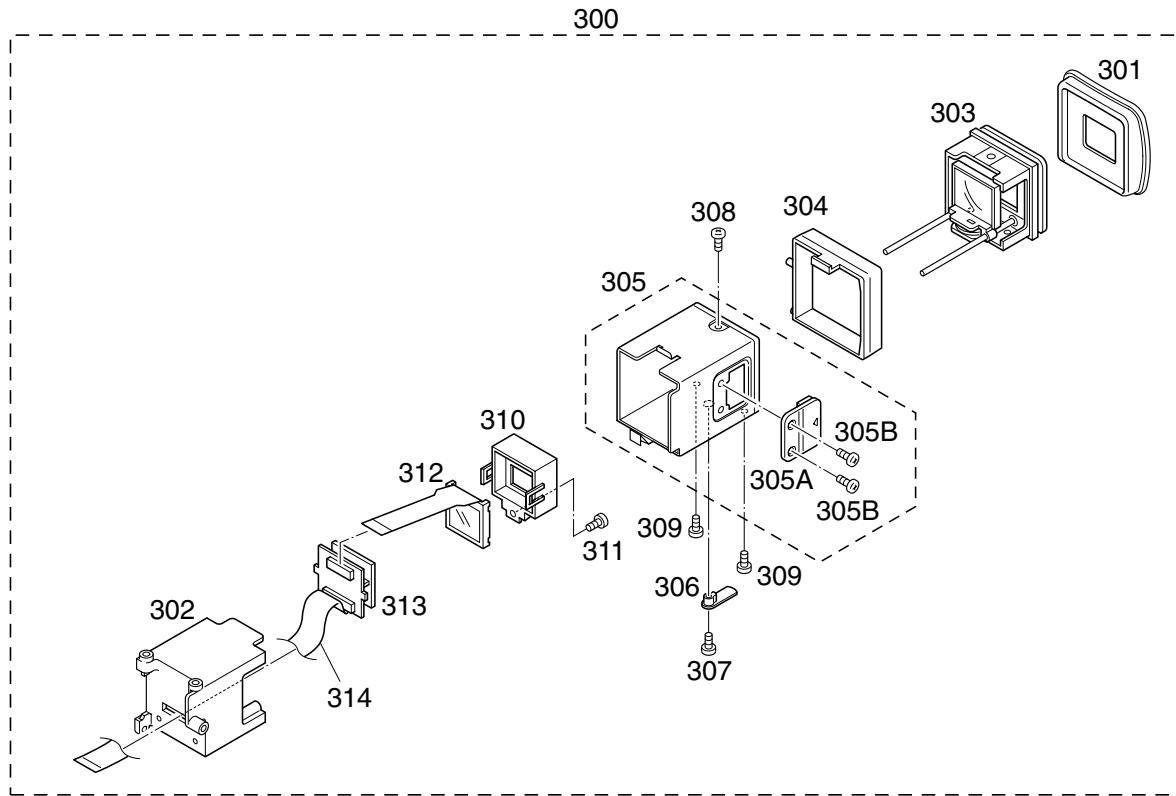
MECHANISM ASSEMBLY <M3>

400	YMA0025H	MECHA(A)ASSY
401	LY10077-001M	MAIN DECK ASSY
402	LY30436-001G	SLANT POLE ARM ASSY
403	YQ44246	SLIT WASHER
404	LY30438-001B	CLEANER ARM ASSY
405	LY10080-001V	RAIL ASSY
406	YQ44246	SLIT WASHER,X3
407	LY40353-001D	GUIDE ROLLER(S)ASSY
408	LY30002-006C	COMPRESSION SPRING
409	QAR0026-002	CAPSTAN MOTOR
410	LY30504-001C	CATCHER(T)ASSY
411	YQ43893	MINI SCREW,X4
413	LY30448-001H	MOTOR BKT ASSY
414	YQ43893	MINI SCREW,X2
415	LY30449-001C	WORM WHEEL
416	YQ44246	SLIT WASHER
417	LY40496-001C	ROTARY ENCODER
418	YQ43893	MINI SCREW
419	YQ44246	SLIT WASHER
420	LY40614-001B	GEAR HOLDER
421	YQ43893-6	MINI SCREW
422	LY30450-001C	MAIN CAM
423	LY30840-001A	BRAKE CTL PLATE
424	YQ43893	MINI SCREW
425	LY40373-001C	TC LEVER ASSY
426	LY30452-001G	SLIDE LEVER ASSY
427	LY30454-001A	CONNECT GEAR
428	YQ44246	SLIT WASHER
429	LY30455-001B	SUB CAM
430	YQ43893	MINI SCREW
431	LY30456-001F	PINCHROLLER ARM ASSY
432	YQ44246	SLIT WASHER
433	LY30459-001A	CHARGE ARM ASSY
434	YQ44246	SLIT WASHER
435	LY40387-001D	BC LEVER ASSY
436	LY40389-001D	REEL DRIVE PULLEY ASSY
437	YQ44246-2	SLIT WASHER
438	LY40391-002B	CENTER GEAR ASSY
439	LY40396-001A	TIMING BELT
440	LY40413-001A	COLLAR,X2
441	LY30468-001E	GUIDE ARM ASSY
442	LY30618-001C	SLIDE GUIDE PLATE ASSY
443	YQ43893-2	MINI SCREW
444	LY40420-001J	TENSION ARM ASSY
445	YQ44246	SLIT WASHER
446	LY30471-001D	PAD ARM ASSY
447	YQ44246	SLIT WASHER
448	LY40432-001H	IDLER ARM ASSY
449	YQ44246-2	SLIT WASHER
450	LY30476-001A	GUIDE PIN(S)
451	YQ43893	MINI SCREW
452	LY40441-001B	REEL DISK(SUPPLY)ASSY
453	YQ44246	SLIT WASHER
454	LY40443-001B	REEL DISK(TAKE-UP)ASSY
455	YQ44246	SLIT WASHER
456	LY30477-001F	CTL PLATE ASSY
457	YQ44246	SLIT WASHER,X2
458	LY40444-001E	LOADING BRAKE ASSY
459	YQ44246	SLIT WASHER

▲ REF No. PART No. PART NAME, DESCRIPTION

460	LY40452-001C	SUB BRAKE ASSY
461	YQ44246	SLIT WASHER
462	LY30479-001E	RELEASE GUIDE ASSY
463	YQ44246	SLIT WASHER
464	LY20146-001H	REEL COVER ASSY
465	YQ43893-4	MINI SCREW,X2
466	YQ43893	MINI SCREW
467	YQ44246	SLIT WASHER
468	YDV2086K	DRUM ASSY
469	YQ43893	MINI SCREW,X3
470	LY20138-001D	PWB HOLDER
471	YQ43893	MINI SCREW,X2
472	LY10082-001L	SLIDE DECK ASSY
473	LY30462-001B	LOADING GUIDE
474	YQ43893	MINI SCREW
476	LY30016-0M1A	SPACER-A
478	LY30496-001W	DECK ASSY
480	LY41573-001A	WASHER
481	LY30483-001Q	CASSETTE HOUSING ASSY
482	YQ43893-4	MINI SCREW,X3

5.4 ELECTRONIC VIEWFINDER ASSEMBLY <M4>



▲ REF No. PART No. PART NAME, DESCRIPTION

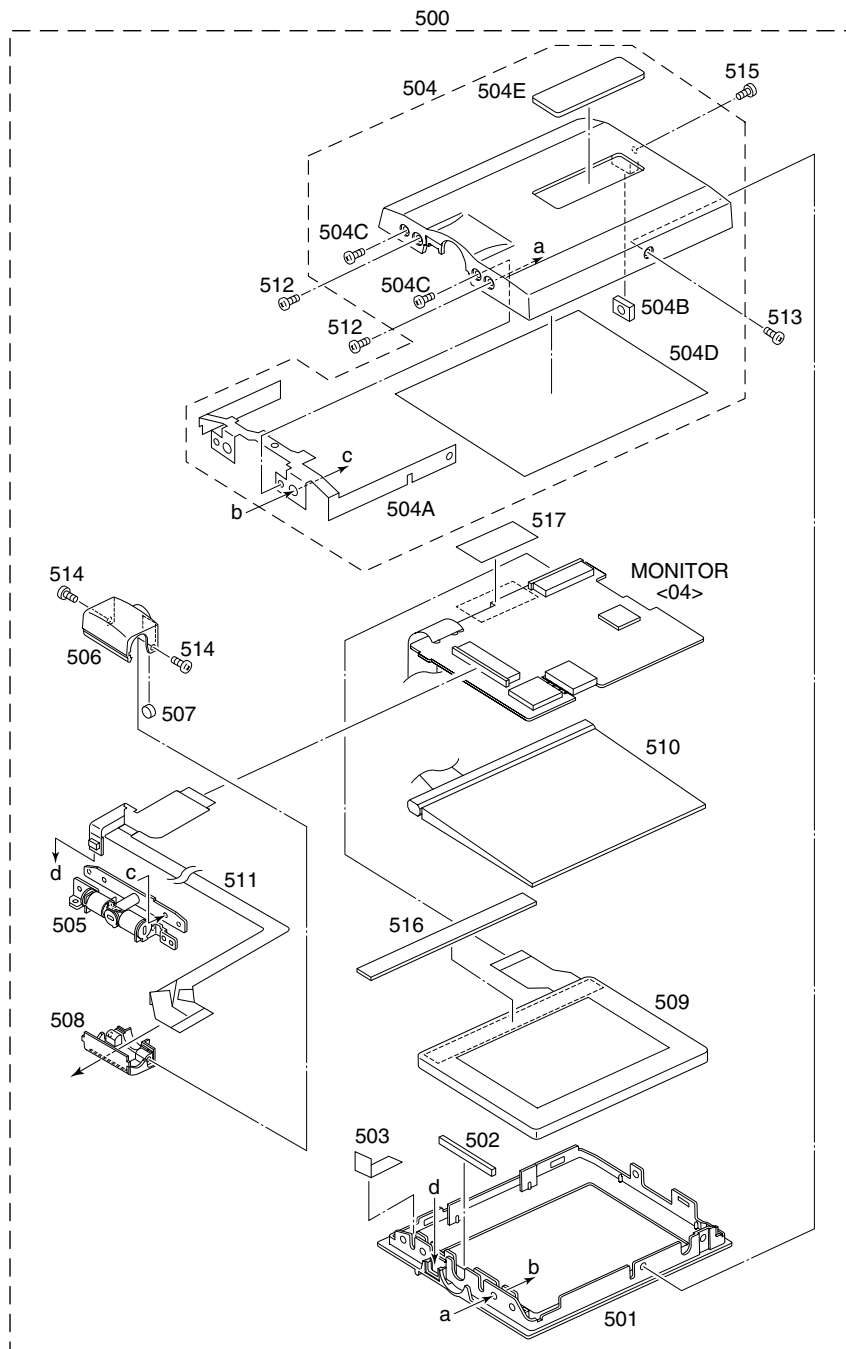
ELECTRONIC VIEWFINDER ASSEMBLY <M4>

#	REF No.	PART No.	PART NAME, DESCRIPTION
300		LY32148-001A	VF UNIT
301		PTY32149-001	EYE CUP
302		PTY32149-021	FRAME(VF)
303		PTY32149-041	EYE PIECE SUB ASSY
304		PTY32148-031	GUIDE(VF)
305		PTY32148-011	CASE/CAP ASSY
305A		PTY32149-012	CAP(VF)

▲ REF No. PART No. PART NAME, DESCRIPTION

305B		LY30029-034A	SCREW,X2
306		PTY31749-015	LEVER(VF)
307		LY30018-037A	SCREW
308		LY30018-019A	SCREW
309		LY30018-055A	SCREW,X2
310		PTY32149-051	HOLDER(LCD)
311		PTY32149-081	SCREW
312		QLD0117-001	LCD MODULE
313		PTY32148-061	B/L SUB ASSY
314		PTY32148-071	FFC

5.5 MONITOR ASSEMBLY <M5>



▲ REF No. PART No. PART NAME, DESCRIPTION

MONITOR ASSEMBLY <M5>

#	▲	REF No.	PART No.	PART NAME, DESCRIPTION
△		500	LYH20260-001A	MONITOR ASSY,DVM75U
△			LYH20260-002A	MONITOR ASSY,DVM55U
		501	LY20584-004A	MONITOR CASE
		502	LY30029-046B	SPACER(A)
		503	LY30029-0G5A	SPACER(A)
△		504	LY20734-001A	MONITOR COVER ASSY,DVM75U
△			LY20734-002A	MONITOR COVER ASSY,DVM55U
		504A	LY31699-001A	BRACKET(MONITOR)
		504B	LY40162-001A	BKT
		504C	QYSPSPT1720R	SCREW,X2
		504D	LY30029-047A	SPACER(A)

▲ REF No. PART No. PART NAME, DESCRIPTION

		504E	LY42162-001A	MARK
		505	LY31701-001C	HINGE ASSY
		506	LY32147-001A	HINGE COVER(U)
		507	LY40663-002A	MAGNET
		508	LY32171-001A	HINGE COVER(L)
		509	QLD0138-001	LCD MODULE
		510	QLL0087-001	BACK LIGHT
		511	LY32190-001A	FPC ASSY(MONI)
		512	LY30018-0B1A	SPECIAL SCREW,X2
		513	QYSPSPT1730R	SCREW
		514	LY30018-060A	SPECIAL SCREW,X2
		515	QYSPSPT1735R	SCREW
		516	LY30029-076A	SPACER(A)
		517	LY30029-093A	SPACER(A)

5.6 ELECTRICAL PARTS LIST

#	△ REF No.	PART No.	PART NAME, DESCRIPTION

MAIN BOARD ASSEMBLY <01>			
PW		YB10318A-01	MAIN BOARD ASSY,DVM55U
		YB10319A-01	MAIN BOARD ASSY,DVM75U
IC1001		UPD703039F1-A07	IC,DVM55U
		UPD703039F1-A08	IC,DVM75U
		or UPD70F3040F1A07	IC,DVM55U
		or UPD70F3040F1A08	IC,DVM75U
IC1002		RS5C314	IC
IC1003		AT25160N-10SC-X	IC
		or NM25C160LZEM8	IC
		or X25170S8I-2.5-X	IC
IC1004		TC75S56FU	IC
IC1005		TC7S00FU	IC
		or SN74AHC1G00K	IC
IC1006		MB90097PFV142	IC(MICRO C ROM)
IC1007		TC74VHC08FT	IC(DIGITAL)
		or SN74LV08APW	IC
IC1008		TC7W66FU	IC(DIGITAL),DVM75U
IC1009		IC-PST9323U-X	IC
IC1101		TA75W01FU	IC
IC1301		SN74LV08APW	IC,DVM55U
IC1302		MAX3221CAE	IC,DVM55U
IC1303		SN74LV02APW	IC
IC1401		YQ44886A	CSP IC ASSY,DVM55U
		YQ44887A	CSP IC ASSY,DVM75U
IC1402		TC7W66FU	IC(DIGITAL),DVM55U
IC1403		TC7W53FU	IC(DIGITAL)
		or SN74AHC2G53T	IC
IC1404		TC7W14FU	IC(DIGITAL)
		or SN74AHC2G14T	IC
IC3001		JCY0133	IC
IC3002		JCY0136	IC
IC3003		TLC2940IPW	IC
IC3004		SN74AHC1G04K	IC
IC3006		JCY0164	IC
IC3501		JCY0132	IC
IC3701		BA7665FS	IC,DVM55U
		MM1510XN	IC,DVM75U
IC3702		MM1510XN	IC,DVM75U
IC3703		MM1506XN	IC,DVM75U
IC3901		JCP8029	IC,DVM75U
IC3951		MM1504XN	IC,DVM75U
IC4201		HD49326BF	IC
IC4202		MM1385HN	IC
IC4301		JCY0150	IC
IC4302		TMS4C2973-28-X	IC
IC4303		TMS4C2973-28-X	IC,DVM75U
IC5501		JCY0117	IC
IC6001		S-80842ANNP-W	IC
IC6002		S-817A33ANB-W	IC
IC6101		FA3698F	IC
IC6601		TC7W74FU	IC(DIGITAL),DVM75U
		or TC7WH74FU	IC(DIGITAL),DVM75U
IC8001		JCY0121-4	IC,DVM75U
IC8002		MSM56V16160D1LS	IC,DVM75U
IC8003		M32310D5WG	IC,DVM75U
IC8004		39VF800A7CEKA08	IC(μ C ROM),DVM75U
		or 39VF800A9CEKA08	IC(μ C ROM),DVM75U
		or LE28DW8163T8A02	IC(μ C ROM),DVM75U
IC8005		SN74AHC1G00K	IC,DVM75U

#	△ REF No.	PART No.	PART NAME, DESCRIPTION
		or TC7S00FU	IC,DVM75U
IC8006		MM1385NN	IC,DVM75U
IC8007		MM1385EN	IC,DVM75U
IC8008		TC7WHU04FU	IC,DVM75U
IC8009		TC7WH74FK	IC,DVM75U
IC8010		TC7SH08FU	IC(DIGITAL),DVM75U
IC8011		TC7WH74FK	IC,DVM75U
IC8012		TC7WH32FK	IC,DVM75U
IC8101		TMS320DA050-G	IC,DVM75U
IC8102		TC7MA2244FK	IC,DVM75U
IC8103		TC7S04FU	IC(DIGITAL),DVM75U
IC8401		ML60851CLB	IC,DVM75U
IC8402		S-80842ANNP-W	IC,DVM75U
Q1001		DTC124EE	TRANSISTOR
		or UN9212J	TRANSISTOR
Q1002		2SC4617/QR/-X	TRANSISTOR
Q1003		DTC143EE	TRANSISTOR
		or RN1101	TRANSISTOR
		or UN921LJ	TRANSISTOR
Q1004		DTA114EE	TRANSISTOR
		or PDTA114EE	TRANSISTOR
		or RN2102	TRANSISTOR
		or UN9111J	TRANSISTOR
Q1005		DTC144EE	TRANSISTOR
		or UN9213J	TRANSISTOR
		or RN1104	TRANSISTOR
		or PDTC144EE	TRANSISTOR
Q1006		DTA114EE	TRANSISTOR
		or PDTA114EE	TRANSISTOR
		or RN2102	TRANSISTOR
		or UN9111J	TRANSISTOR
Q1007		DTC144EE	TRANSISTOR
		or UN9213J	TRANSISTOR
		or RN1104	TRANSISTOR
		or PDTC144EE	TRANSISTOR
Q1301		2SC4617/RS/-X	TRANSISTOR
Q1401		DTA114EE	TRANSISTOR
		or PDTA114EE	TRANSISTOR
		or RN2102	TRANSISTOR
		or UN9111J	TRANSISTOR
Q1402		UMC3N	TRANSISTOR
Q1403		UMC3N	TRANSISTOR
Q1404		DTC144EE	TRANSISTOR
		or PDTC144EE	TRANSISTOR
		or RN1104	TRANSISTOR
		or UN9213J	TRANSISTOR
Q3701		UMT2N	PAIR TRANSISTOR
Q3702		UMZ1N	PAIR TRANSISTOR,DVM55U
		2SA1774/RS/-X	TRANSISTOR,DVM75U
Q3703		UMZ1N	PAIR TRANSISTOR,DVM75U
		or PUMZ1	PAIR TRANSISTOR,DVM75U
Q3704		2SC4617/RS/-X	TRANSISTOR,DVM75U
Q3951		UMZ1N	PAIR TRANSISTOR,DVM75U
		or PUMZ1	PAIR TRANSISTOR,DVM75U
Q3952		DTC144EE	TRANSISTOR,DVM75U
		or PDTC144EE	TRANSISTOR,DVM75U
		or RN1104	TRANSISTOR,DVM75U
		or UN9213J	TRANSISTOR,DVM75U
Q3953		UMZ1N	PAIR TRANSISTOR,DVM75U
		or PUMZ1	PAIR TRANSISTOR,DVM75U
Q3954		2SC4617/RS/-X	TRANSISTOR,DVM75U
Q4301		UMT2N	PAIR TRANSISTOR
Q4302		UMT2N	PAIR TRANSISTOR

#	△ REF No.	PART No.	PART NAME, DESCRIPTION	#	△ REF No.	PART No.	PART NAME, DESCRIPTION	
		Q6001	DTC144EE	TRANSISTOR	D6207	MA8091/L/-X	ZENER DIODE	
			or PDTC144EE	TRANSISTOR	D6701	CRS09	SB DIODE	
			or RN1104	TRANSISTOR	D6702	CRS09	SB DIODE	
			or UN9213J	TRANSISTOR	D8001	RB751V-40-X	SB DIODE,DVM75U	
		Q6002	2SK3019	MOS FET	D8401	RB751V-40-X	SB DIODE,DVM75U	
		Q6003	2SJ347	MOS FET	R1001	NRSA6AJ-104W	MG RESISTOR	100kΩ,1/16W
		Q6004	2SB1121/TU/-X	TRANSISTOR	R1002	NRSA6AJ-224W	MG RESISTOR	220kΩ,1/16W
		Q6201	NDS352AP	MOS FET	R1003	NRSA6AJ-472W	MG RESISTOR	4.7kΩ,1/16W
		Q6202	2SA1577/QR/-X	TRANSISTOR	R1004	NRSA6AJ-103W	MG RESISTOR	10kΩ,1/16W
		Q6203	SSM6J07FU	MOS FET	R1005	NRSA6AJ-153W	MG RESISTOR	15kΩ,1/16W
		Q6204	CPH3304	MOS FET	R1006	NRSA6AJ-103W	MG RESISTOR	10kΩ,1/16W
		Q6205	CPH3101	TRANSISTOR	R1007	NRSA6AJ-334W	MG RESISTOR	330kΩ,1/16W
		Q6206	2SC4617/RS/-X	TRANSISTOR	R1009	NRSA6AJ-151W	MG RESISTOR	150Ω,1/16W
		Q6208	SSM6J07FU	MOS FET	R1010	NRSA6AJ-561W	MG RESISTOR	560Ω,1/16W
		Q6210	SSM6J07FU	MOS FET	R1011	NRSA6AJ-103W	MG RESISTOR	10kΩ,1/16W
		Q6211	NDS352AP	MOS FET	R1012	NRSA6AJ-102W	MG RESISTOR	1kΩ,1/16W
		Q6212	HN1C01FU/G/-X	PAIR TRANSISTOR	R1013	NRSA6AJ-103W	MG RESISTOR	10kΩ,1/16W
			or PUMX1	PAIR TRANSISTOR	R1015	NRSA6AJ-474W	MG RESISTOR	470kΩ,1/16W
		Q6213	2SA1577/RS/-X	TRANSISTOR	R1017	NRSA6AJ-104W	MG RESISTOR	100kΩ,1/16W
		Q6214	DTC144EE	TRANSISTOR	R1018	NRSA6AJ-103W	MG RESISTOR	10kΩ,1/16W
			or PDTC144EE	TRANSISTOR	R1019	NRSA6AJ-0R0W	MG RESISTOR	0Ω,1/16W
			or UN9213J	TRANSISTOR	R1020	NRSA6AJ-331W	MG RESISTOR	330Ω,1/16W
			or RN1104	TRANSISTOR	R1021	NRSA6AJ-331W	MG RESISTOR	330Ω,1/16W
		Q6215	HN1A01FU/G/-X	PAIR TRANSISTOR	R1022	NRSA6AJ-331W	MG RESISTOR	330Ω,1/16W
			or PUMT1	PAIR TRANSISTOR	R1023	NRSA6AJ-103W	MG RESISTOR	10kΩ,1/16W
		Q6216	2SC4617/RS/-X	TRANSISTOR	R1024	NRSA6AJ-823W	MG RESISTOR	82kΩ,1/16W
		Q6601	DTC144EE	TRANSISTOR,DVM75U	R1025	NRSA6AJ-623W	MG RESISTOR	62kΩ,1/16W
			or PDTC144EE	TRANSISTOR,DVM75U	R1026	NRSA6AJ-104W	MG RESISTOR	100kΩ,1/16W
			or UN9213J	TRANSISTOR,DVM75U	R1027	NRSA6AJ-104W	MG RESISTOR	100kΩ,1/16W
			or RN1104	TRANSISTOR,DVM75U	R1028	NRSA6AJ-185W	MG RESISTOR	1.8MΩ,1/16W
		Q6602	UMS1N	PAIR TRANSISTOR,DVM75U	R1029	NRSA6AJ-473W	MG RESISTOR	47kΩ,1/16W
		Q6611	2SA1774/RS/-X	TRANSISTOR,DVM75U	R1030	NRSA6AJ-104W	MG RESISTOR	100kΩ,1/16W
		Q6612	UMS1N	PAIR TRANSISTOR,DVM75U	R1031	NRSA6AJ-102W	MG RESISTOR	1kΩ,1/16W
		Q6613	2SC4617/RS/-X	TRANSISTOR,DVM75U	R1032	NRSA6AJ-104W	MG RESISTOR	100kΩ,1/16W
		Q6614	RN1702	TRANSISTOR,DVM75U	R1033	NRSA6AJ-102W	MG RESISTOR	1kΩ,1/16W
		Q6615	UMC4N	TRANSISTOR,DVM75U	R1034	NRSA6AJ-102W	MG RESISTOR	1kΩ,1/16W
		Q6701	TPC6102	MOS FET	R1035	NRSA6AJ-0R0W	MG RESISTOR,DVM75U	0Ω,1/16W
		Q7001	UMZ1N	PAIR TRANSISTOR		NRSA6AJ-473W	MG RESISTOR,DVM55U	47kΩ,1/16W
			or PUMZ1	PAIR TRANSISTOR	R1036	NRSA6AJ-0R0W	MG RESISTOR	0Ω,1/16W
		Q8401	DTA114EE	TRANSISTOR,DVM75U	R1037	NRSA6AJ-103W	MG RESISTOR	10kΩ,1/16W
			or RN2102	TRANSISTOR,DVM75U	R1038	NRSA6AJ-0R0W	MG RESISTOR	0Ω,1/16W
			or UN9111J	TRANSISTOR,DVM75U	R1039	NRSA6AJ-103W	MG RESISTOR	10kΩ,1/16W
			or PDTA114EE	TRANSISTOR,DVM75U	R1040	NRSA6AJ-103W	MG RESISTOR	10kΩ,1/16W
		D1001	DA221	DIODE	R1041	NRSA6AJ-473W	MG RESISTOR	47kΩ,1/16W
		D1302	RB501V-40-X	SB DIODE	R1042	NRSA6AJ-473W	MG RESISTOR	47kΩ,1/16W
		D2901	EMZ6.8N	ZENER DIODE	R1043	NRSA6AJ-473W	MG RESISTOR	47kΩ,1/16W
		D2902	EMZ6.8N	ZENER DIODE,DVM75U	R1044	NRSA6AJ-123W	MG RESISTOR	12kΩ,1/16W
		D2903	EMZ6.8N	ZENER DIODE,DVM55U	R1045	NRSA6AJ-822W	MG RESISTOR	8.2kΩ,1/16W
		D2904	EMZ6.8N	ZENER DIODE,DVM55U	R1046	NRSA6AJ-103W	MG RESISTOR	10kΩ,1/16W
		D2905	EMZ6.8N	ZENER DIODE	R1047	NRSA6AJ-473W	MG RESISTOR	47kΩ,1/16W
		D3001	EC2C01C	VARI CAP DIODE	R1048	NRSA6AJ-473W	MG RESISTOR	47kΩ,1/16W
		D3002	EC2C01C	VARI CAP DIODE	R1049	NRSA6AJ-393W	MG RESISTOR	39kΩ,1/16W
		D3003	EC2C01C	VARI CAP DIODE	R1050	NRSA6AJ-223W	MG RESISTOR	22kΩ,1/16W
		D3701	UMZ6.8EN	ZENER DIODE	R1051	NRSA6AJ-272W	MG RESISTOR	2.7kΩ,1/16W
		D5501	1SS355	DIODE	R1052	NRSA6AJ-183W	MG RESISTOR	18kΩ,1/16W
△		D6001	RB706D-40-X	SB DIODE	R1053	NRSA6AJ-154W	MG RESISTOR	150kΩ,1/16W
		D6002	RB715F	SB DIODE	R1054	NRSA6AJ-473W	MG RESISTOR	47kΩ,1/16W
		D6201	CRS06	SB DIODE	R1055	NRSA6AJ-103W	MG RESISTOR	10kΩ,1/16W
		D6202	CRS06	SB DIODE	R1056	NRSA6AJ-472W	MG RESISTOR	4.7kΩ,1/16W
		D6203	CRS06	SB DIODE	R1057	NRSA6AJ-473W	MG RESISTOR	47kΩ,1/16W
		D6204	CRS06	SB DIODE	R1058	NRSA6AJ-222W	MG RESISTOR	2.2kΩ,1/16W
		D6205	CRS06	SB DIODE	R1059	NRSA6AJ-473W	MG RESISTOR	47kΩ,1/16W
		D6206	1SS383	SB DIODE	R1060	NRSA6AJ-473W	MG RESISTOR,DVM55U	47kΩ,1/16W

#	△ REF No.	PART No.	PART NAME, DESCRIPTION	#	△ REF No.	PART No.	PART NAME, DESCRIPTION
R1061		NRSA6AJ-102W	MG RESISTOR 1kΩ,1/16W	R1442		NRSA6AJ-332W	MG RESISTOR 3.3kΩ,1/16W
R1062		NRSA6AJ-102W	MG RESISTOR,DVM75U 1kΩ,1/16W	R1443		NRSA6AJ-102W	MG RESISTOR,DVM75U 1kΩ,1/16W
		NRSA6AJ-473W	MG RESISTOR,DVM55U 47kΩ,1/16W	R1444		NRSA6AJ-102W	MG RESISTOR,DVM75U 1kΩ,1/16W
R1063		NRSA6AJ-0R0W	MG RESISTOR,DVM75U 0Ω,1/16W	R1445		NRSA6AJ-101W	MG RESISTOR 100Ω,1/16W
		NRSA6AJ-473W	MG RESISTOR,DVM55U 47kΩ,1/16W	R3002		NRSA6AJ-103W	MG RESISTOR 10kΩ,1/16W
R1064		NRSA6AJ-0R0W	MG RESISTOR,DVM75U 0Ω,1/16W	R3004		NRSA6AJ-103W	MG RESISTOR 10kΩ,1/16W
		NRSA6AJ-473W	MG RESISTOR,DVM55U 47kΩ,1/16W	R3007		NRSA6AJ-562W	MG RESISTOR 5.6kΩ,1/16W
R1065		NRSA6AJ-0R0W	MG RESISTOR,DVM75U 0Ω,1/16W	R3008		NRSA6AJ-222W	MG RESISTOR 2.2kΩ,1/16W
		NRSA6AJ-473W	MG RESISTOR,DVM55U 47kΩ,1/16W	R3009		NRSA6AJ-103W	MG RESISTOR 10kΩ,1/16W
R1066		NRSA6AJ-473W	MG RESISTOR 47kΩ,1/16W	R3010		NRSA6AJ-103W	MG RESISTOR 10kΩ,1/16W
R1067		NRSA6AJ-473W	MG RESISTOR,DVM55U 47kΩ,1/16W	R3011		NRSA6AJ-224W	MG RESISTOR 220kΩ,1/16W
R1068		NRSA6AJ-473W	MG RESISTOR,DVM55U 47kΩ,1/16W	R3013		NRSA6AJ-242W	MG RESISTOR 2.4kΩ,1/16W
R1069		NRSA6AJ-473W	MG RESISTOR,DVM55U 47kΩ,1/16W	R3014		NRSA6AJ-392W	MG RESISTOR 3.9kΩ,1/16W
R1070		NRSA6AJ-103W	MG RESISTOR 10kΩ,1/16W	R3015		NRSA6AJ-392W	MG RESISTOR 3.9kΩ,1/16W
R1071		NRSA6AJ-474W	MG RESISTOR 470kΩ,1/16W	R3016		NRSA6AD-560W	MG RESISTOR 56Ω,1/16W
R1072		NRSA6AJ-104W	MG RESISTOR 100kΩ,1/16W	R3017		NRSA6AD-560W	MG RESISTOR 56Ω,1/16W
R1073		NRSA6AJ-103W	MG RESISTOR 10kΩ,1/16W	R3018		NRSA6AD-560W	MG RESISTOR 56Ω,1/16W
R1074		NRSA6AJ-103W	MG RESISTOR 10kΩ,1/16W	R3019		NRSA6AD-560W	MG RESISTOR 56Ω,1/16W
R1075		NRSA6AJ-103W	MG RESISTOR 10kΩ,1/16W	R3020		NRSA6AD-512W	MG RESISTOR 5.1kΩ,1/16W
R1076		NRSA6AJ-0R0W	MG RESISTOR,DVM75U 0Ω,1/16W	R3021		NRSA6AJ-0R0W	MG RESISTOR 0Ω,1/16W
R1080		NRSA6AJ-104W	MG RESISTOR 100kΩ,1/16W	R3022		NRSA6AJ-0R0W	MG RESISTOR 0Ω,1/16W
R1101		NRSA6AJ-333W	MG RESISTOR 33kΩ,1/16W	R3023		NRSA6AJ-0R0W	MG RESISTOR 0Ω,1/16W
R1102		NRSA6AJ-472W	MG RESISTOR 4.7kΩ,1/16W	R3024		NRSA6AJ-0R0W	MG RESISTOR 0Ω,1/16W
R1104		NRSA6AJ-105W	MG RESISTOR 1MΩ,1/16W	R3027		NRSA6AJ-103W	MG RESISTOR 10kΩ,1/16W
R1106		NRSA6AJ-105W	MG RESISTOR 1MΩ,1/16W	R3029		NRSA6AJ-103W	MG RESISTOR 10kΩ,1/16W
R1107		NRSA6AJ-103W	MG RESISTOR 10kΩ,1/16W	R3030		NRSA6AJ-224W	MG RESISTOR 220kΩ,1/16W
R1108		NRSA6AJ-472W	MG RESISTOR 4.7kΩ,1/16W	R3031		NRSA6AJ-224W	MG RESISTOR 220kΩ,1/16W
R1109		NRSA6AJ-103W	MG RESISTOR 10kΩ,1/16W	R3033		NRSA6AJ-0R0W	MG RESISTOR 0Ω,1/16W
R1302		NRSA6AJ-472W	MG RESISTOR 4.7kΩ,1/16W	R3034		NRSA6AJ-222W	MG RESISTOR 2.2kΩ,1/16W
R1306		NRSA6AJ-472W	MG RESISTOR 4.7kΩ,1/16W	R3041		NRSA6AJ-561W	MG RESISTOR 560Ω,1/16W
R1401		NRSA6AJ-102W	MG RESISTOR 1kΩ,1/16W	R3042		NRSA6AJ-561W	MG RESISTOR 560Ω,1/16W
R1402		NRSA6AJ-222W	MG RESISTOR 2.2kΩ,1/16W	R3043		NRSA6AJ-561W	MG RESISTOR 560Ω,1/16W
R1403		NRSA6AJ-222W	MG RESISTOR 2.2kΩ,1/16W	R3044		NRSA6AJ-392W	MG RESISTOR 3.9kΩ,1/16W
R1408		NRSA6AJ-472W	MG RESISTOR 4.7kΩ,1/16W	R3046		NRSA6AD-222W	MG RESISTOR 2.2kΩ,1/16W
R1409		NRSA6AJ-331W	MG RESISTOR 330Ω,1/16W	R3050		NRSA6AJ-101W	MG RESISTOR 100Ω,1/16W
R1410		NRSA6AJ-331W	MG RESISTOR 330Ω,1/16W	R3052		NRSA6AJ-103W	MG RESISTOR 10kΩ,1/16W
R1411		NRSA6AJ-473W	MG RESISTOR 47kΩ,1/16W	R3053		NRSA6AJ-103W	MG RESISTOR 10kΩ,1/16W
R1412		NRSA6AJ-331W	MG RESISTOR 330Ω,1/16W	R3054		NRSA6AJ-103W	MG RESISTOR 10kΩ,1/16W
R1414		NRSA6AJ-331W	MG RESISTOR 330Ω,1/16W	R3055		NRSA6AJ-103W	MG RESISTOR 10kΩ,1/16W
R1415		NRSA6AJ-331W	MG RESISTOR 330Ω,1/16W	R3058		NRSA6AJ-101W	MG RESISTOR 100Ω,1/16W
R1416		NRSA6AJ-331W	MG RESISTOR 330Ω,1/16W	R3501		NRSA6AJ-471W	MG RESISTOR 470Ω,1/16W
R1417		NRSA6AJ-102W	MG RESISTOR 1kΩ,1/16W	R3502		NRSA6AJ-104W	MG RESISTOR 100kΩ,1/16W
R1418		NRSA6AJ-221W	MG RESISTOR 220Ω,1/16W	R3503		NRSA6AJ-102W	MG RESISTOR 1kΩ,1/16W
R1419		NRSA6AJ-221W	MG RESISTOR 220Ω,1/16W	R3504		NRSA6AD-241W	MG RESISTOR 240Ω,1/16W
R1420		NRSA6AJ-473W	MG RESISTOR 47kΩ,1/16W	R3505		NRSA6AD-241W	MG RESISTOR 240Ω,1/16W
R1422		NRSA6AJ-332W	MG RESISTOR 3.3kΩ,1/16W	R3506		NRSA6AD-241W	MG RESISTOR 240Ω,1/16W
R1423		NRSA6AJ-332W	MG RESISTOR 3.3kΩ,1/16W	R3507		NRSA6AD-241W	MG RESISTOR 240Ω,1/16W
R1424		NRSA6AJ-332W	MG RESISTOR 3.3kΩ,1/16W	R3508		NRSA6AJ-223W	MG RESISTOR 22kΩ,1/16W
R1425		NRVA6AD-753W	CMF RESISTOR 75kΩ,1/16W	R3521		NRSA6AJ-0R0W	MG RESISTOR 0Ω,1/16W
R1426		NRSA6AJ-334W	MG RESISTOR 330kΩ,1/16W	R3522		NRSA6AJ-0R0W	MG RESISTOR 0Ω,1/16W
R1427		NRSA6AJ-103W	MG RESISTOR 10kΩ,1/16W	R3701		NRSA6AD-121W	MG RESISTOR,DVM75U 120Ω,1/16W
R1428		NRSA6AJ-153W	MG RESISTOR 15kΩ,1/16W			NRSA6AD-241W	MG RESISTOR,DVM55U 240Ω,1/16W
R1429		NRSA6AJ-102W	MG RESISTOR 1kΩ,1/16W	R3702		NRSA6AD-121W	MG RESISTOR,DVM75U 120Ω,1/16W
R1430		NRSA6AJ-102W	MG RESISTOR 1kΩ,1/16W			NRSA6AD-241W	MG RESISTOR,DVM55U 240Ω,1/16W
R1432		NRSA6AJ-820W	MG RESISTOR 82Ω,1/16W	R3703		NRSA6AJ-472W	MG RESISTOR 4.7kΩ,1/16W
R1433		NRSA6AJ-102W	MG RESISTOR 1kΩ,1/16W	R3706		NRSA6AD-111W	MG RESISTOR,DVM75U 110Ω,1/16W
R1434		NRSA6AJ-683W	MG RESISTOR 68kΩ,1/16W			NRSA6AD-221W	MG RESISTOR,DVM55U 220Ω,1/16W
R1435		NRSA6AJ-102W	MG RESISTOR 1kΩ,1/16W	R3707		NRSA6AD-111W	MG RESISTOR,DVM75U 110Ω,1/16W
R1436		NRSA6AJ-683W	MG RESISTOR 68kΩ,1/16W			NRSA6AD-221W	MG RESISTOR,DVM55U 220Ω,1/16W
R1437		NRVA6AD-103W	CMF RESISTOR 10kΩ,1/16W	R3708		NRSA6AJ-472W	MG RESISTOR 4.7kΩ,1/16W
R1439		NRSA6AJ-332W	MG RESISTOR 3.3kΩ,1/16W	R3709		NRSA6AD-102W	MG RESISTOR,DVM75U 1kΩ,1/16W
R1440		NRSA6AJ-332W	MG RESISTOR 3.3kΩ,1/16W	R3710		NRSA6AD-102W	MG RESISTOR,DVM75U 1kΩ,1/16W
R1441		NRSA6AJ-332W	MG RESISTOR 3.3kΩ,1/16W	R3711		NRSA6AJ-222W	MG RESISTOR,DVM75U 2.2kΩ,1/16W

#	△	REF No.	PART No.	PART NAME, DESCRIPTION	#	△	REF No.	PART No.	PART NAME, DESCRIPTION
		R3712	NRSA6AJ-104W	MG RESISTOR,DVM75U 100kΩ,1/16W			R4320	NRSA6AJ-0R0W	MG RESISTOR 0Ω,1/16W
			NRSA6AD-680W	MG RESISTOR,DVM55U 68Ω,1/16W			R4321	NRSA6AJ-152W	MG RESISTOR 1.5kΩ,1/16W
		R3713	NRSA6AD-680W	MG RESISTOR 68Ω,1/16W			R4322	NRVA6AD-111W	CMF RESISTOR 110Ω,1/16W
		R3714	NRSA6AJ-123W	MG RESISTOR,DVM55U 12kΩ,1/16W			R4323	NRVA6AD-101W	CMF RESISTOR 100Ω,1/16W
			NRSA6AD-680W	MG RESISTOR,DVM75U 68Ω,1/16W			R4324	NRSA6AJ-152W	MG RESISTOR 1.5kΩ,1/16W
		R3715	NRSA6AJ-103W	MG RESISTOR 10kΩ,1/16W			R4326	NRSA6AJ-0R0W	MG RESISTOR 0Ω,1/16W
		R3716	NRSA6AJ-103W	MG RESISTOR,DVM75U 10kΩ,1/16W			R4327	NRSA6AJ-152W	MG RESISTOR 1.5kΩ,1/16W
		R3717	NRSA6AJ-105W	MG RESISTOR,DVM75U 1MΩ,1/16W			R4328	NRSA6AJ-0R0W	MG RESISTOR 0Ω,1/16W
			NRSA6AJ-561W	MG RESISTOR,DVM55U 560Ω,1/16W			R4329	NRSA6AJ-0R0W	MG RESISTOR 0Ω,1/16W
		R3718	NRSA6AJ-561W	MG RESISTOR,DVM55U 560Ω,1/16W			R4333	NRSA6AJ-0R0W	MG RESISTOR 0Ω,1/16W
			NRSA6AJ-823W	MG RESISTOR,DVM75U 82kΩ,1/16W			R4336	NRSA6AJ-0R0W	MG RESISTOR 0Ω,1/16W
		R3719	NRSA6AJ-103W	MG RESISTOR,DVM55U 10kΩ,1/16W			R4337	NRSA6AJ-0R0W	MG RESISTOR,DVM75U 0Ω,1/16W
			NRSA6AJ-104W	MG RESISTOR,DVM75U 100kΩ,1/16W			R4338	NRSA6AJ-220W	MG RESISTOR 22Ω,1/16W
		R3720	NRSA6AJ-103W	MG RESISTOR,DVM75U 10kΩ,1/16W			R4339	NRSA6AJ-0R0W	MG RESISTOR 0Ω,1/16W
		R3721	NRSA6AJ-101W	MG RESISTOR,DVM75U 100Ω,1/16W			R4340	NRSA6AJ-0R0W	MG RESISTOR 0Ω,1/16W
		R3722	NRSA6AJ-472W	MG RESISTOR,DVM75U 4.7kΩ,1/16W			R4341	NRSA6AJ-0R0W	MG RESISTOR 0Ω,1/16W
		R3723	NRSA6AJ-472W	MG RESISTOR 4.7kΩ,1/16W			R4343	NRSA6AJ-0R0W	MG RESISTOR 0Ω,1/16W
		R3724	NRSA6AJ-392W	MG RESISTOR,DVM55U 3.9kΩ,1/16W			R4344	NRSA6AJ-0R0W	MG RESISTOR,DVM55U 0Ω,1/16W
		R3725	NRSA6AJ-0R0W	MG RESISTOR,DVM55U 0Ω,1/16W				NRSA6AJ-220W	MG RESISTOR,DVM75U 22Ω,1/16W
		R3726	NRSA6AJ-0R0W	MG RESISTOR,DVM55U 0Ω,1/16W			R4346	NRSA63J-0R0X	MG RESISTOR 0Ω,1/16W
		R3901	NRSA6AD-331W	MG RESISTOR,DVM75U 330Ω,1/16W			R4347	NRSA6AJ-223W	MG RESISTOR 22kΩ,1/16W
		R3904	NRSA6AD-391W	MG RESISTOR,DVM75U 390Ω,1/16W			R4348	NRSA6AJ-223W	MG RESISTOR 22kΩ,1/16W
		R3905	NRSA63J-0R0X	MG RESISTOR,DVM75U 0Ω,1/16W			R4349	NRSA6AJ-223W	MG RESISTOR 22kΩ,1/16W
		R3911	NRSA6AJ-0R0W	MG RESISTOR,DVM75U 0Ω,1/16W			R4350	NRSA6AJ-223W	MG RESISTOR 22kΩ,1/16W
		R3951	NRSA6AD-561W	MG RESISTOR,DVM75U 560Ω,1/16W			R4351	NRSA6AJ-223W	MG RESISTOR 22kΩ,1/16W
		R3953	NRSA6AD-152W	MG RESISTOR,DVM75U 1.5kΩ,1/16W			R5501	NRSA6AJ-0R0W	MG RESISTOR 0Ω,1/16W
		R3954	NRSA6AJ-222W	MG RESISTOR,DVM75U 2.2kΩ,1/16W			R5503	NRSA6AJ-0R0W	MG RESISTOR 0Ω,1/16W
		R3955	NRSA6AJ-102W	MG RESISTOR,DVM75U 1kΩ,1/16W			R5504	NRSA6AJ-0R0W	MG RESISTOR 0Ω,1/16W
		R3956	NRSA6AJ-474W	MG RESISTOR,DVM75U 470kΩ,1/16W			R5505	NRSA6AJ-0R0W	MG RESISTOR 0Ω,1/16W
		R3961	NRSA6AD-561W	MG RESISTOR,DVM75U 560Ω,1/16W			R5506	NRSA6AJ-0R0W	MG RESISTOR 0Ω,1/16W
		R3962	NRSA6AJ-822W	MG RESISTOR,DVM75U 8.2kΩ,1/16W			R5507	NRSA6AJ-0R0W	MG RESISTOR 0Ω,1/16W
		R3963	NRSA6AD-182W	MG RESISTOR,DVM75U 1.8kΩ,1/16W			R5509	NRSA6AJ-470W	MG RESISTOR 47Ω,1/16W
		R3964	NRSA6AJ-183W	MG RESISTOR,DVM75U 18kΩ,1/16W			R5510	NRSA6AJ-470W	MG RESISTOR 47Ω,1/16W
		R3965	NRSA6AJ-183W	MG RESISTOR,DVM75U 18kΩ,1/16W			R5511	NRSA6AJ-470W	MG RESISTOR 47Ω,1/16W
		R3966	NRSA6AJ-681W	MG RESISTOR,DVM75U 680Ω,1/16W			R5512	NRSA6AJ-102W	MG RESISTOR 1kΩ,1/16W
		R3967	NRSA6AJ-821W	MG RESISTOR,DVM75U 820Ω,1/16W			R5513	NRSA6AJ-102W	MG RESISTOR 1kΩ,1/16W
		R3968	NRSA6AJ-821W	MG RESISTOR,DVM75U 820Ω,1/16W			R5514	NRSA6AJ-102W	MG RESISTOR 1kΩ,1/16W
		R3969	NRSA6AJ-102W	MG RESISTOR,DVM75U 1kΩ,1/16W			R6001	NRSA6AJ-104W	MG RESISTOR 100kΩ,1/16W
		R4202	NRSA6AJ-0R0W	MG RESISTOR 0Ω,1/16W			R6002	NRSA6AJ-104W	MG RESISTOR 100kΩ,1/16W
		R4203	NRSA6AJ-0R0W	MG RESISTOR 0Ω,1/16W			R6003	NRSA6AJ-224W	MG RESISTOR 220kΩ,1/16W
		R4204	NRSA6AJ-220W	MG RESISTOR 22Ω,1/16W			R6004	NRSA6AJ-183W	MG RESISTOR 18kΩ,1/16W
		R4205	NRSA6AJ-243W	MG RESISTOR 24kΩ,1/16W			R6005	NRSA6AJ-104W	MG RESISTOR 100kΩ,1/16W
		R4206	NRSA6AJ-102W	MG RESISTOR 1kΩ,1/16W		△	R6008	NRSA63J-471X	MG RESISTOR 470Ω,1/16W
		R4207	NRSA6AJ-102W	MG RESISTOR 1kΩ,1/16W		△	R6009	NRSA63J-102X	MG RESISTOR 1kΩ,1/16W
		R4208	NRSA6AJ-102W	MG RESISTOR 1kΩ,1/16W			R6010	NRSA6AJ-473W	MG RESISTOR 47kΩ,1/16W
		R4301	NRSA6AJ-101W	MG RESISTOR 100Ω,1/16W			R6011	NRSA6AJ-102W	MG RESISTOR 1kΩ,1/16W
		R4302	NRSA6AJ-100W	MG RESISTOR,DVM75U 10Ω,1/16W			R6012	NRVA6AD-104W	CMF RESISTOR 100kΩ,1/16W
		R4303	NRSA6AJ-0R0W	MG RESISTOR 0Ω,1/16W			R6013	NRVA6AD-683W	CMF RESISTOR 68kΩ,1/16W
		R4305	NRSA6AJ-0R0W	MG RESISTOR 0Ω,1/16W			R6014	NRSA63J-0R0X	MG RESISTOR,DVM75U 0Ω,1/16W
		R4307	NRVA6AD-333W	CMF RESISTOR 33kΩ,1/16W			R6015	NRVA6AD-104W	CMF RESISTOR 100kΩ,1/16W
		R4308	NRVA6AD-682W	CMF RESISTOR 6.8kΩ,1/16W			R6016	NRVA6AD-333W	CMF RESISTOR 33kΩ,1/16W
		R4309	NRSA6AJ-0R0W	MG RESISTOR 0Ω,1/16W			R6101	NRVA6AD-103W	CMF RESISTOR 10kΩ,1/16W
		R4311	NRVA6AD-272W	CMF RESISTOR 2.7kΩ,1/16W			R6102	NRVA6AD-471W	CMF RESISTOR 470Ω,1/16W
		R4312	NRVA6AD-132W	CMF RESISTOR,DVM75U 1.3kΩ,1/16W			R6103	NRVA6AD-622W	CMF RESISTOR 6.2kΩ,1/16W
			NRVA6AD-272W	CMF RESISTOR,DVM55U 2.7kΩ,1/16W			R6106	NRSA6AJ-333W	MG RESISTOR 33kΩ,1/16W
		R4313	NRVA6AD-132W	CMF RESISTOR,DVM75U 1.3kΩ,1/16W			R6107	NRVA6AD-562W	CMF RESISTOR 5.6kΩ,1/16W
			NRVA6AD-272W	CMF RESISTOR,DVM55U 2.7kΩ,1/16W			R6108	NRSA6AJ-223W	MG RESISTOR 22kΩ,1/16W
		R4314	NRVA6AD-123W	CMF RESISTOR 12kΩ,1/16W			R6110	NRSA6AJ-0R0W	MG RESISTOR 0Ω,1/16W
		R4315	NRVA6AD-103W	CMF RESISTOR 10kΩ,1/16W			R6112	NRSA6AJ-0R0W	MG RESISTOR 0Ω,1/16W
		R4316	NRVA6AD-111W	CMF RESISTOR 110Ω,1/16W			R6113	NRSA6AJ-472W	MG RESISTOR 4.7kΩ,1/16W
		R4317	NRSA6AJ-0R0W	MG RESISTOR 0Ω,1/16W			R6114	NRSA6AJ-823W	MG RESISTOR 82kΩ,1/16W
		R4318	NRSA6AJ-152W	MG RESISTOR 1.5kΩ,1/16W			R6115	NRSA6AJ-823W	MG RESISTOR 82kΩ,1/16W
		R4319	NRVA6AD-111W	CMF RESISTOR 110Ω,1/16W			R6116	NRVA6AD-153W	CMF RESISTOR 15kΩ,1/16W

#	△ REF No.	PART No.	PART NAME, DESCRIPTION	#	△ REF No.	PART No.	PART NAME, DESCRIPTION
R6117		NRSA6AJ-0R0W	MG RESISTOR 0Ω,1/16W	R7001		NRSA6AD-183W	MG RESISTOR 18kΩ,1/16W
R6118		NRSA6AJ-102W	MG RESISTOR 1kΩ,1/16W	R7002		NRSA6AD-334W	MG RESISTOR 330kΩ,1/16W
R6124		NRSA6AJ-102W	MG RESISTOR 1kΩ,1/16W	R7003		NRSA6AJ-224W	MG RESISTOR 220kΩ,1/16W
R6201		NRVA6AD-243W	CMF RESISTOR 24kΩ,1/16W	R7004		NRSA6AJ-393W	MG RESISTOR 39kΩ,1/16W
R6203		NRVA6AD-123W	CMF RESISTOR 12kΩ,1/16W	R8001		NRSA6AJ-0R0W	MG RESISTOR,DVM75U 0Ω,1/16W
R6204		NRSA6AJ-473W	MG RESISTOR 47kΩ,1/16W	R8002		NRSA6AJ-100W	MG RESISTOR,DVM75U 10Ω,1/16W
R6205		NRSA6AJ-102W	MG RESISTOR 1kΩ,1/16W	R8003		NRSA6AJ-0R0W	MG RESISTOR,DVM75U 0Ω,1/16W
R6206		NRVA6AD-183W	CMF RESISTOR 18kΩ,1/16W	R8004		NRSA6AJ-473W	MG RESISTOR,DVM75U 47kΩ,1/16W
R6207		NRVA6AD-123W	CMF RESISTOR 12kΩ,1/16W	R8005		NRSA6AJ-0R0W	MG RESISTOR,DVM75U 0Ω,1/16W
R6208		NRVA6AD-123W	CMF RESISTOR 12kΩ,1/16W	R8006		NRSA6AJ-0R0W	MG RESISTOR,DVM75U 0Ω,1/16W
R6209		NRVA6AD-153W	CMF RESISTOR 15kΩ,1/16W	R8007		NRSA6AJ-103W	MG RESISTOR,DVM75U 10kΩ,1/16W
R6210		NRVA6AD-183W	CMF RESISTOR 18kΩ,1/16W	R8008		NRSA6AJ-0R0W	MG RESISTOR,DVM75U 0Ω,1/16W
R6212		NRVA6AD-472W	CMF RESISTOR 4.7kΩ,1/16W	R8011		NRSA6AJ-0R0W	MG RESISTOR,DVM75U 0Ω,1/16W
R6213		NRSA6AJ-103W	MG RESISTOR 10kΩ,1/16W	R8012		NRSA6AJ-0R0W	MG RESISTOR,DVM75U 0Ω,1/16W
R6214		NRSA6AJ-152W	MG RESISTOR 1.5kΩ,1/16W	R8014		NRSA6AJ-0R0W	MG RESISTOR,DVM75U 0Ω,1/16W
R6215		NRSA6AJ-473W	MG RESISTOR 47kΩ,1/16W	R8015		NRVA6AD-133W	CMF RESISTOR,DVM75U 13kΩ,1/16W
R6219		NRVA6AD-243W	CMF RESISTOR 24kΩ,1/16W	R8016		NRSA6AJ-0R0W	MG RESISTOR,DVM75U 0Ω,1/16W
R6220		NRVA6AD-302W	CMF RESISTOR 3kΩ,1/16W	R8017		NRSA6AJ-0R0W	MG RESISTOR,DVM75U 0Ω,1/16W
R6221		NRVA6AD-104W	CMF RESISTOR 100kΩ,1/16W	R8020		NRSA6AJ-0R0W	MG RESISTOR,DVM75U 0Ω,1/16W
R6223		NRVA6AD-123W	CMF RESISTOR 12kΩ,1/16W	R8022		NRSA6AJ-101W	MG RESISTOR,DVM75U 100Ω,1/16W
R6224		NRVA6AD-473W	CMF RESISTOR 47kΩ,1/16W	R8023		NRSA6AJ-103W	MG RESISTOR,DVM75U 10kΩ,1/16W
R6225		NRVA6AD-562W	CMF RESISTOR 5.6kΩ,1/16W	R8024		NRSA6AJ-101W	MG RESISTOR,DVM75U 100Ω,1/16W
R6226		NRVA6AD-223W	CMF RESISTOR 22kΩ,1/16W	R8025		NRSA6AJ-0R0W	MG RESISTOR,DVM75U 0Ω,1/16W
R6227		NRVA6AD-473W	CMF RESISTOR 47kΩ,1/16W	R8026		NRSA6AJ-0R0W	MG RESISTOR,DVM75U 0Ω,1/16W
R6228		NRVA6AD-473W	CMF RESISTOR 47kΩ,1/16W	R8027		NRSA6AJ-104W	MG RESISTOR,DVM75U 100kΩ,1/16W
R6229		NRVA6AD-332W	CMF RESISTOR 3.3kΩ,1/16W	R8028		NRSA6AJ-104W	MG RESISTOR,DVM75U 100kΩ,1/16W
R6230		NRSA6AJ-272W	MG RESISTOR 2.7kΩ,1/16W	R8029		NRSA6AJ-104W	MG RESISTOR,DVM75U 100kΩ,1/16W
R6231		NRVA6AD-104W	CMF RESISTOR 100kΩ,1/16W	R8030		NRSA6AJ-0R0W	MG RESISTOR,DVM75U 0Ω,1/16W
R6232		NRVA6AD-473W	CMF RESISTOR 47kΩ,1/16W	R8031		NRSA6AJ-0R0W	MG RESISTOR,DVM75U 0Ω,1/16W
R6233		NRSA6AJ-822W	MG RESISTOR 8.2kΩ,1/16W	R8032		NRSA6AJ-0R0W	MG RESISTOR,DVM75U 0Ω,1/16W
R6234		NRSA6AJ-273W	MG RESISTOR 27kΩ,1/16W	R8033		NRSA6AJ-104W	MG RESISTOR,DVM75U 100kΩ,1/16W
R6235		NRVA6AD-683W	CMF RESISTOR 68kΩ,1/16W	R8034		NRSA6AJ-101W	MG RESISTOR,DVM75U 100Ω,1/16W
R6236		NRVA6AD-473W	CMF RESISTOR 47kΩ,1/16W	R8035		NRSA6AJ-103W	MG RESISTOR,DVM75U 10kΩ,1/16W
R6237		NRVA6AD-753W	CMF RESISTOR 75kΩ,1/16W	R8036		NRSA6AJ-0R0W	MG RESISTOR,DVM75U 0Ω,1/16W
R6238		NRVA6AD-104W	CMF RESISTOR 100kΩ,1/16W	R8037		NRSA6AJ-0R0W	MG RESISTOR,DVM75U 0Ω,1/16W
R6239		NRSA6AJ-103W	MG RESISTOR 10kΩ,1/16W	R8038		NRSA6AJ-473W	MG RESISTOR,DVM75U 47kΩ,1/16W
R6240		NRSA6AJ-333W	MG RESISTOR 33kΩ,1/16W	R8039		NRSA6AJ-101W	MG RESISTOR,DVM75U 100Ω,1/16W
R6241		NRSA6AJ-102W	MG RESISTOR 1kΩ,1/16W	R8040		NRSA6AJ-105W	MG RESISTOR,DVM75U 1MΩ,1/16W
R6242		NRSA6AJ-104W	MG RESISTOR 100kΩ,1/16W	R8041		NRSA6AJ-0R0W	MG RESISTOR,DVM75U 0Ω,1/16W
R6243		NRSA6AJ-823W	MG RESISTOR 82kΩ,1/16W	R8042		NRSA6AJ-0R0W	MG RESISTOR,DVM75U 0Ω,1/16W
R6247		NRSA6AJ-0R0W	MG RESISTOR 0Ω,1/16W	R8045		NRSA6AJ-0R0W	MG RESISTOR,DVM75U 0Ω,1/16W
R6249		NRSA6AJ-0R0W	MG RESISTOR 0Ω,1/16W	R8046		NRSA6AJ-103W	MG RESISTOR,DVM75U 10kΩ,1/16W
R6251		NRSA6AJ-0R0W	MG RESISTOR 0Ω,1/16W	R8047		NRSA6AJ-101W	MG RESISTOR,DVM75U 100Ω,1/16W
R6253		NRSA6AJ-0R0W	MG RESISTOR 0Ω,1/16W	R8048		NRSA6AJ-0R0W	MG RESISTOR,DVM75U 0Ω,1/16W
R6255		NRSA6AJ-0R0W	MG RESISTOR 0Ω,1/16W	R8049		NRSA6AJ-0R0W	MG RESISTOR,DVM75U 0Ω,1/16W
R6257		NRSA6AJ-0R0W	MG RESISTOR 0Ω,1/16W	R8051		NRSA6AJ-473W	MG RESISTOR,DVM75U 47kΩ,1/16W
R6601		NRSA6AJ-822W	MG RESISTOR,DVM75U 8.2kΩ,1/16W	R8054		NRSA6AJ-0R0W	MG RESISTOR,DVM75U 0Ω,1/16W
R6603		NRVA6AD-683W	CMF RESISTOR,DVM75U 68kΩ,1/16W	R8055		NRSA6AJ-0R0W	MG RESISTOR,DVM75U 0Ω,1/16W
R6604		NRVA6AD-104W	CMF RESISTOR,DVM75U 100kΩ,1/16W	R8056		NRSA6AJ-101W	MG RESISTOR,DVM75U 100Ω,1/16W
R6605		NRSA6AJ-184W	MG RESISTOR,DVM75U 180kΩ,1/16W	R8057		NRSA6AJ-103W	MG RESISTOR,DVM75U 10kΩ,1/16W
R6606		NRSA6AJ-823W	MG RESISTOR,DVM75U 82kΩ,1/16W	R8058		NRSA6AJ-103W	MG RESISTOR,DVM75U 10kΩ,1/16W
R6611		NRSA6AJ-335W	MG RESISTOR,DVM75U 3.3MΩ,1/16W	R8059		NRSA6AJ-473W	MG RESISTOR,DVM75U 47kΩ,1/16W
R6612		NRSA6AJ-474W	MG RESISTOR,DVM75U 470kΩ,1/16W	R8074		NRSA6AJ-0R0W	MG RESISTOR,DVM75U 0Ω,1/16W
R6613		NRSA6AJ-473W	MG RESISTOR,DVM75U 47kΩ,1/16W	R8075		NRSA6AJ-0R0W	MG RESISTOR,DVM75U 0Ω,1/16W
R6614		NRSA6AJ-473W	MG RESISTOR,DVM75U 47kΩ,1/16W	R8076		NRSA6AJ-0R0W	MG RESISTOR,DVM75U 0Ω,1/16W
R6615		NRSA6AJ-474W	MG RESISTOR,DVM75U 470kΩ,1/16W	R8077		NRSA6AJ-0R0W	MG RESISTOR,DVM75U 0Ω,1/16W
R6616		NRSA6AJ-273W	MG RESISTOR,DVM75U 27kΩ,1/16W	R8078		NRSA6AJ-0R0W	MG RESISTOR,DVM75U 0Ω,1/16W
R6617		NRSA6AJ-333W	MG RESISTOR,DVM75U 33kΩ,1/16W	R8101		NRSA6AJ-473W	MG RESISTOR,DVM75U 47kΩ,1/16W
R6701		NRZ0058-R20X	MG RESISTOR 0.2Ω,1/2W	R8102		NRSA6AJ-0R0W	MG RESISTOR,DVM75U 0Ω,1/16W
R6702		NRVA6AD-104W	CMF RESISTOR 100kΩ,1/16W	R8104		NRSA6AJ-473W	MG RESISTOR,DVM75U 47kΩ,1/16W
R6703		NRVA6AD-123W	CMF RESISTOR 12kΩ,1/16W	R8105		NRSA6AJ-473W	MG RESISTOR,DVM75U 47kΩ,1/16W
R6712		NRVA6AD-823W	CMF RESISTOR 82kΩ,1/16W	R8106		NRSA6AJ-221W	MG RESISTOR,DVM75U 220Ω,1/16W
R6713		NRVA6AD-333W	CMF RESISTOR 33kΩ,1/16W	R8107		NRSA6AJ-221W	MG RESISTOR,DVM75U 220Ω,1/16W

#	△ REF No.	PART No.	PART NAME, DESCRIPTION	#	△ REF No.	PART No.	PART NAME, DESCRIPTION
R8108		NRSA6AJ-473W	MG RESISTOR,DVM75U 47kΩ,1/16W	C1003		NBE40JM-226X	T CAPACITOR 22μF,6.3V
R8109		NRSA6AJ-0R0W	MG RESISTOR,DVM75U 0Ω,1/16W	C1004		NCFA1AZ-104W	CAPACITOR 0.1μF,10V
R8110		NRSA6AJ-473W	MG RESISTOR,DVM75U 47kΩ,1/16W	C1005		NCFA1HZ-103W	CAPACITOR 0.01μF,50V
R8111		NRSA6AJ-0R0W	MG RESISTOR,DVM75U 0Ω,1/16W	C1006		NDCA1HJ-130W	CAPACITOR 13pF,50V
R8112		NRSA6AJ-0R0W	MG RESISTOR,DVM75U 0Ω,1/16W	C1007		NCFA1HZ-103W	CAPACITOR 0.01μF,50V
R8113		NRSA6AJ-0R0W	MG RESISTOR,DVM75U 0Ω,1/16W	C1008		NCFA1HZ-103W	CAPACITOR 0.01μF,50V
R8115		NRSA6AJ-221W	MG RESISTOR,DVM75U 220Ω,1/16W	C1009		NCFA1HZ-103W	CAPACITOR 0.01μF,50V
R8116		NRSA6AJ-473W	MG RESISTOR,DVM75U 47kΩ,1/16W	C1010		NCFA1HZ-103W	CAPACITOR 0.01μF,50V
R8117		NRSA6AJ-473W	MG RESISTOR,DVM75U 47kΩ,1/16W	C1011		NCFA1HZ-103W	CAPACITOR 0.01μF,50V
R8118		NRSA6AJ-221W	MG RESISTOR,DVM75U 220Ω,1/16W	C1012		NCFA1HZ-103W	CAPACITOR 0.01μF,50V
R8119		NRSA6AJ-473W	MG RESISTOR,DVM75U 47kΩ,1/16W	C1013		NCFA1HZ-103W	CAPACITOR 0.01μF,50V
R8120		NRSA6AJ-221W	MG RESISTOR,DVM75U 220Ω,1/16W	C1014		NCFA1HZ-103W	CAPACITOR 0.01μF,50V
R8121		NRSA6AJ-0R0W	MG RESISTOR,DVM75U 0Ω,1/16W	C1015		NCFA1HZ-103W	CAPACITOR 0.01μF,50V
R8122		NRSA6AJ-105W	MG RESISTOR,DVM75U 1MΩ,1/16W	C1016		NCFA1HZ-103W	CAPACITOR 0.01μF,50V
R8124		NRSA6AJ-472W	MG RESISTOR,DVM75U 4.7kΩ,1/16W	C1017		NCFA1HZ-103W	CAPACITOR 0.01μF,50V
R8128		NRSA6AJ-472W	MG RESISTOR,DVM75U 4.7kΩ,1/16W	C1018		NCFA1HZ-103W	CAPACITOR,DVM75U 0.01μF,50V
R8129		NRSA6AJ-105W	MG RESISTOR,DVM75U 1MΩ,1/16W	C1019		NCFA1HZ-103W	CAPACITOR 0.01μF,50V
R8130		NRSA6AJ-101W	MG RESISTOR,DVM75U 100Ω,1/16W	C1023		NCFA1AZ-104W	CAPACITOR 0.1μF,10V
R8131		NRSA6AJ-0R0W	MG RESISTOR,DVM75U 0Ω,1/16W	C1026		NCFA1AZ-104W	CAPACITOR 0.1μF,10V
R8132		NRSA6AJ-680W	MG RESISTOR,DVM75U 68Ω,1/16W	C1027		NCFA1HZ-103W	CAPACITOR 0.01μF,50V
R8133		NRSA6AJ-0R0W	MG RESISTOR,DVM75U 0Ω,1/16W	C1028		NCFA1HZ-103W	CAPACITOR 0.01μF,50V
R8134		NRSA6AJ-0R0W	MG RESISTOR,DVM75U 0Ω,1/16W	C1029		NCFA1HZ-103W	CAPACITOR 0.01μF,50V
R8135		NRSA6AJ-0R0W	MG RESISTOR,DVM75U 0Ω,1/16W	C1030		NCFA1HZ-103W	CAPACITOR 0.01μF,50V
R8401		NRSA6AJ-105W	MG RESISTOR,DVM75U 1MΩ,1/16W	C1031		NCF31AZ-105X	CAPACITOR 1μF,10V
R8402		NRS181J-220X	MG RESISTOR,DVM75U 22Ω,1/8W	C1034		NCBA1CK-103W	CAPACITOR 0.01μF,16V
R8403		NRS181J-220X	MG RESISTOR,DVM75U 22Ω,1/8W	C1035		NCBA1CK-103W	CAPACITOR 0.01μF,16V
R8404		NRSA6AJ-152W	MG RESISTOR,DVM75U 1.5kΩ,1/16W	C1036		NCBA1CK-103W	CAPACITOR 0.01μF,16V
R8405		NRSA6AJ-105W	MG RESISTOR,DVM75U 1MΩ,1/16W	C1037		NCBA1CK-103W	CAPACITOR 0.01μF,16V
R8406		NRSA6AJ-153W	MG RESISTOR,DVM75U 15kΩ,1/16W	C1038		NCBA1CK-103W	CAPACITOR 0.01μF,16V
R8407		NRSA6AJ-0R0W	MG RESISTOR,DVM75U 0Ω,1/16W	C1039		NCBA1CK-103W	CAPACITOR 0.01μF,16V
RA1001		NRZ0034-102W	NETWORK RESISTOR 1kΩ	C1040		NCFA1HZ-103W	CAPACITOR 0.01μF,50V
RA1002		NRZ0034-102W	NETWORK RESISTOR 1kΩ	C1101		NCBA1AK-104W	CAPACITOR 0.1μF,10V
RA1003		NRZ0034-102W	NETWORK RESISTOR 1kΩ	C1102		NCBA1CK-223W	CAPACITOR 0.022μF,16V
RA1004		NRZ0034-102W	NETWORK RESISTOR 1kΩ	C1103		NCBA1CK-223W	CAPACITOR 0.022μF,16V
RA1005		NRZ0034-102W	NETWORK RESISTOR 1kΩ	C1111		NCB30JK-105X	CAPACITOR 1μF,6.3V
RA1006		NRZ0034-102W	NETWORK RESISTOR 1kΩ	C1112		NBE90JM-106X	T CAPACITOR 10μF,6.3V
RA1007		NRZ0034-102W	NETWORK RESISTOR 1kΩ	C1113		NBE90JM-106X	T CAPACITOR 10μF,6.3V
RA1008		NRZ0034-104W	NETWORK RESISTOR 100kΩ	C1301		NCBA1AK-104W	CAPACITOR,DVM55U 0.1μF,10V
RA1009		NRZ0034-104W	NETWORK RESISTOR 100kΩ	C1302		NCBA1AK-104W	CAPACITOR,DVM55U 0.1μF,10V
RA1010		NRZ0034-104W	NETWORK RESISTOR 100kΩ	C1303		NCBA1AK-104W	CAPACITOR,DVM55U 0.1μF,10V
RA1401		NRZ0034-473W	NETWORK RESISTOR 47kΩ	C1304		NCBA1AK-104W	CAPACITOR,DVM55U 0.1μF,10V
RA1402		NRZ0034-102W	NETWORK RESISTOR 1kΩ	C1305		NCBA1AK-104W	CAPACITOR,DVM55U 0.1μF,10V
RA1403		NRZ0034-102W	NETWORK RESISTOR 1kΩ	C1306		NCBA1AK-104W	CAPACITOR,DVM55U 0.1μF,10V
RA4301		NRZ0034-101W	NETWORK RESISTOR 100Ω	C1307		NCBA1AK-104W	CAPACITOR 0.1μF,10V
RA4302		NRZ0034-101W	NETWORK RESISTOR 100Ω	C1401		NBE90JM-106X	T CAPACITOR 10μF,6.3V
RA4303		NRZ0034-101W	NETWORK RESISTOR 100Ω	C1402		NBE90JM-106X	T CAPACITOR 10μF,6.3V
RA4304		NRZ0034-101W	NETWORK RESISTOR,DVM75U 100Ω	C1405		NCFA1AZ-104W	CAPACITOR 0.1μF,10V
RA4305		NRZ0034-101W	NETWORK RESISTOR,DVM75U 100Ω	C1406		NCFA1AZ-104W	CAPACITOR 0.1μF,10V
RA4306		NRZ0034-101W	NETWORK RESISTOR,DVM75U 100Ω	C1408		NCFA1AZ-104W	CAPACITOR 0.1μF,10V
RA4307		NRZ0034-100W	NETWORK RESISTOR,DVM75U 10Ω	C1409		NCFA1AZ-104W	CAPACITOR 0.1μF,10V
RA4308		NRZ0034-100W	NETWORK RESISTOR,DVM75U 10Ω	C1410		NCFA1AZ-104W	CAPACITOR 0.1μF,10V
RA4309		NRZ0034-100W	NETWORK RESISTOR,DVM75U 10Ω	C1411		NCFA1AZ-104W	CAPACITOR 0.1μF,10V
RA4310		NRZ0034-100W	NETWORK RESISTOR,DVM75U 10Ω	C1412		NCFA1AZ-104W	CAPACITOR 0.1μF,10V
RA8001		NRZ0034-100W	NETWORK RESISTOR,DVM75U 10Ω	C1413		NCFA1AZ-104W	CAPACITOR 0.1μF,10V
RA8002		NRZ0034-100W	NETWORK RESISTOR,DVM75U 10Ω	C1414		NCBA1CK-103W	CAPACITOR 0.01μF,16V
RA8003		NRZ0034-100W	NETWORK RESISTOR,DVM75U 10Ω	C1415		NCBA1CK-103W	CAPACITOR 0.01μF,16V
RA8004		NRZ0034-100W	NETWORK RESISTOR,DVM75U 10Ω	C1416		NCBA1CK-103W	CAPACITOR 0.01μF,16V
RA8401		NRZ0034-100W	NETWORK RESISTOR,DVM75U 10Ω	C1417		NCBA1CK-223W	CAPACITOR 0.022μF,16V
RA8402		NRZ0034-100W	NETWORK RESISTOR,DVM75U 10Ω	C1418		NCBA1CK-223W	CAPACITOR 0.022μF,16V
RA8403		NRZ0034-100W	NETWORK RESISTOR,DVM75U 10Ω	C1419		NCBA1CK-223W	CAPACITOR 0.022μF,16V
RA8404		NRZ0034-100W	NETWORK RESISTOR,DVM75U 10Ω	C1420		NCBA1CK-223W	CAPACITOR 0.022μF,16V
C1001		NBE40JM-226X	T CAPACITOR 22μF,6.3V	C3001		NBE20JM-106X	T CAPACITOR 10μF,6.3V
C1002		NCFA1AZ-104W	CAPACITOR 0.1μF,10V	C3003		NCB21CK-105X	CAPACITOR 1μF,16V

#	△ REF No.	PART No.	PART NAME, DESCRIPTION	#	△ REF No.	PART No.	PART NAME, DESCRIPTION
C3004		NCB21CK-105X	CAPACITOR 1μF,16V	C3518		NCBA1CK-103W	CAPACITOR 0.01μF,16V
C3005		NBE20JM-106X	T CAPACITOR 10μF,6.3V	C3519		NCBA1HK-102W	CAPACITOR 0.001μF,50V
C3007		NCB11CK-105X	CAPACITOR 1μF,16V	C3520		NCBA1CK-103W	CAPACITOR 0.01μF,16V
C3008		NBE20JM-106X	T CAPACITOR 10μF,6.3V	C3521		NCBA1AK-104W	CAPACITOR 0.1μF,10V
C3011		NCBA1AK-104W	CAPACITOR 0.1μF,10V	C3522		NCB20JM-475X	CAPACITOR 4.7μF,6.3V
C3012		NCBA1AK-104W	CAPACITOR 0.1μF,10V	C3523		NCBA1CK-103W	CAPACITOR 0.01μF,16V
C3013		NCBA1CK-103W	CAPACITOR 0.01μF,16V	C3524		NCBA1CK-103W	CAPACITOR 0.01μF,16V
C3015		NCBA1CK-103W	CAPACITOR 0.01μF,16V	C3525		NCB20JM-475X	CAPACITOR 4.7μF,6.3V
C3016		NCBA1AK-104W	CAPACITOR 0.1μF,10V	C3526		NCBA1CK-103W	CAPACITOR 0.01μF,16V
C3017		NCBA1AK-104W	CAPACITOR 0.1μF,10V	C3527		NDCA1EJ-221W	CAPACITOR 220pF,25V
C3020		NCBA1AK-104W	CAPACITOR 0.1μF,10V	C3701		NBE20JM-106X	T CAPACITOR 10μF,6.3V
C3021		NCBA1AK-104W	CAPACITOR 0.1μF,10V	C3702		NDCA1HJ-151W	CAPACITOR,DVM55U 150pF,50V
C3022		NCBA1AK-104W	CAPACITOR 0.1μF,10V			NDCA1HJ-181W	CAPACITOR,DVM75U 180pF,50V
C3023		NDCA1HJ-330W	CAPACITOR 33pF,50V	C3703		NDCA1HJ-330W	CAPACITOR,DVM55U 33pF,50V
C3024		NCBA1HK-102W	CAPACITOR 0.001μF,50V			NDCA1HJ-680W	CAPACITOR,DVM75U 68pF,50V
C3025		NCBA1AK-104W	CAPACITOR 0.1μF,10V	C3704		NDCA1HJ-101W	CAPACITOR,DVM55U 100pF,50V
C3026		NCB30JK-105X	CAPACITOR 1μF,6.3V			NDCA1HJ-181W	CAPACITOR,DVM75U 180pF,50V
C3027		NCBA1EK-472W	CAPACITOR 0.0047μF,25V	C3705		NDCA1HJ-330W	CAPACITOR,DVM55U 33pF,50V
C3028		NDCA1EJ-271W	CAPACITOR 270pF,25V			NDCA1HJ-680W	CAPACITOR,DVM75U 68pF,50V
C3029		NCBA1CK-103W	CAPACITOR 0.01μF,16V	C3706		NCBA1CK-103W	CAPACITOR 0.01μF,16V
C3030		NCBA1AK-104W	CAPACITOR 0.1μF,10V	C3707		NCFA1AZ-104W	CAPACITOR 0.1μF,10V
C3031		NCBA1AK-104W	CAPACITOR 0.1μF,10V	C3708		NCB30JK-105X	CAPACITOR 1μF,6.3V
C3032		NCBA1HK-102W	CAPACITOR 0.001μF,50V	C3709		NCBA1CK-103W	CAPACITOR,DVM55U 0.01μF,16V
C3033		NDCA1HJ-470W	CAPACITOR 47pF,50V	C3710		NCBA1CK-103W	CAPACITOR,DVM55U 0.01μF,16V
C3034		NCBA1HK-102W	CAPACITOR 0.001μF,50V			NCB30JK-105X	CAPACITOR,DVM75U 1μF,6.3V
C3035		NDCA1HJ-330W	CAPACITOR 33pF,50V	C3711		NBE20GM-226X	T CAPACITOR,DVM55U 22μF,4.0V
C3038		NCBA1AK-104W	CAPACITOR 0.1μF,10V			NBE80JM-106X	T CAPACITOR,DVM75U 10μF,6.3V
C3039		NCBA1AK-104W	CAPACITOR 0.1μF,10V	C3712		NBE40GM-107X	T CAPACITOR 100μF,4.0V
C3040		NCBA1AK-104W	CAPACITOR 0.1μF,10V	C3713		NCBA1CK-103W	CAPACITOR,DVM75U 0.01μF,16V
C3041		NCBA1AK-104W	CAPACITOR 0.1μF,10V	C3714		NCBA1CK-103W	CAPACITOR,DVM75U 0.01μF,16V
C3042		NCBA1CK-103W	CAPACITOR 0.01μF,16V	C3716		NCBA1CK-103W	CAPACITOR,DVM75U 0.01μF,16V
C3043		NCBA1CK-103W	CAPACITOR 0.01μF,16V	C3717		NCB30JK-105X	CAPACITOR,DVM75U 1μF,6.3V
C3044		NCBA1AK-104W	CAPACITOR 0.1μF,10V	C3718		NCB30JK-105X	CAPACITOR,DVM75U 1μF,6.3V
C3045		NCBA1AK-104W	CAPACITOR 0.1μF,10V	C3901		NCBA1AK-104W	CAPACITOR,DVM75U 0.1μF,10V
C3046		NCBA1CK-103W	CAPACITOR 0.01μF,16V	C3902		NCBA1AK-104W	CAPACITOR,DVM75U 0.1μF,10V
C3047		NCBA1AK-104W	CAPACITOR,DVM55U 0.1μF,10V	C3903		NCBA1AK-104W	CAPACITOR,DVM75U 0.1μF,10V
C3051		NCBA1AK-104W	CAPACITOR 0.1μF,10V	C3904		NCBA1AK-104W	CAPACITOR,DVM75U 0.1μF,10V
C3052		NCBA1HK-102W	CAPACITOR 0.001μF,50V	C3905		NCBA1AK-104W	CAPACITOR,DVM75U 0.1μF,10V
C3053		NCBA1AK-473W	CAPACITOR 0.047μF,10V	C3906		NCBA1AK-104W	CAPACITOR,DVM75U 0.1μF,10V
C3056		NCB30JK-105X	CAPACITOR 1μF,6.3V	C3907		NCBA1AK-104W	CAPACITOR,DVM75U 0.1μF,10V
C3057		NCBA1CK-103W	CAPACITOR 0.01μF,16V	C3908		NCBA1AK-104W	CAPACITOR,DVM75U 0.1μF,10V
C3058		NCBA1CK-103W	CAPACITOR 0.01μF,16V	C3909		NCBA1AK-104W	CAPACITOR,DVM75U 0.1μF,10V
C3060		NCBA1CK-103W	CAPACITOR 0.01μF,16V	C3910		NCBA1CK-103W	CAPACITOR,DVM75U 0.01μF,16V
C3061		NCB21CK-105X	CAPACITOR 1μF,16V	C3911		NCBA1AK-104W	CAPACITOR,DVM75U 0.1μF,10V
C3062		NCBA1AK-104W	CAPACITOR 0.1μF,10V	C3912		NCBA1AK-104W	CAPACITOR,DVM75U 0.1μF,10V
C3063		NCBA1AK-104W	CAPACITOR 0.1μF,10V	C3913		NCBA1AK-104W	CAPACITOR,DVM75U 0.1μF,10V
C3501		NBE20JM-106X	T CAPACITOR 10μF,6.3V	C3914		NCBA1AK-104W	CAPACITOR,DVM75U 0.1μF,10V
C3502		NBE20JM-106X	T CAPACITOR 10μF,6.3V	C3915		NCBA1AK-104W	CAPACITOR,DVM75U 0.1μF,10V
C3503		NBE20JM-106X	T CAPACITOR 10μF,6.3V	C3916		NBE20JM-106X	T CAPACITOR,DVM75U 10μF,6.3V
C3504		NCBA1AK-473W	CAPACITOR 0.047μF,10V	C3917		NCBA1AK-104W	CAPACITOR,DVM75U 0.1μF,10V
C3505		NCBA1CK-223W	CAPACITOR 0.022μF,16V	C3919		NCB21CK-105X	CAPACITOR,DVM75U 1μF,16V
C3506		NCB21CK-105X	CAPACITOR 1μF,16V	C3920		NBE20JM-106X	T CAPACITOR,DVM75U 10μF,6.3V
C3507		NCBA1CK-103W	CAPACITOR 0.01μF,16V	C3923		NBE20GM-476X	T CAPACITOR,DVM75U 47μF,4.0V
C3508		NCBA1CK-103W	CAPACITOR 0.01μF,16V	C3951		NBE20JM-226X	T CAPACITOR,DVM75U 22μF,6.3V
C3509		NCBA1CK-103W	CAPACITOR 0.01μF,16V	C3954		NCBA1AK-104W	CAPACITOR,DVM75U 0.1μF,10V
C3510		NCBA1AK-104W	CAPACITOR 0.1μF,10V	C3955		NDCA1HJ-3R0W	CAPACITOR,DVM75U 3pF,50V
C3511		NCBA1CK-103W	CAPACITOR 0.01μF,16V	C3956		NDCA1HJ-5R0W	CAPACITOR,DVM75U 5pF,50V
C3512		NCB31CK-104X	CAPACITOR 0.1μF,16V	C3957		NDCA1HJ-330W	CAPACITOR,DVM75U 33pF,50V
C3513		NCBA1AK-104W	CAPACITOR 0.1μF,10V	C3958		NCB20JM-475X	CAPACITOR,DVM75U 4.7μF,6.3V
C3514		NCBA1AK-473W	CAPACITOR 0.047μF,10V	C3959		NCBA1CK-103W	CAPACITOR,DVM75U 0.01μF,16V
C3515		NCBA1AK-473W	CAPACITOR 0.047μF,10V	C3961		NCBA1HK-102W	CAPACITOR,DVM75U 0.001μF,50V
C3516		NCBA1AK-473W	CAPACITOR 0.047μF,10V	C3962		NDCA1HJ-3R0W	CAPACITOR,DVM75U 3pF,50V
C3517		NCBA1CK-103W	CAPACITOR 0.01μF,16V	C3963		NDCA1HJ-5R0W	CAPACITOR,DVM75U 5pF,50V

#	△ REF No.	PART No.	PART NAME, DESCRIPTION	#	△ REF No.	PART No.	PART NAME, DESCRIPTION
	C3964	NDCA1HJ-330W	CAPACITOR,DVM75U 33pF,50V		C4348	NCBA1AK-104W	CAPACITOR 0.1μF,10V
	C3965	NCBA1HK-102W	CAPACITOR,DVM75U 0.001μF,50V		C4349	NCBA1AK-104W	CAPACITOR 0.1μF,10V
	C3967	NCBA1CK-103W	CAPACITOR,DVM75U 0.01μF,16V		C4350	NCBA1AK-104W	CAPACITOR 0.1μF,10V
	C3968	NCBA1CK-103W	CAPACITOR,DVM75U 0.01μF,16V		C5501	NCBA1AK-104W	CAPACITOR 0.1μF,10V
	C4201	NBE40GM-107X	T CAPACITOR 100μF,4.0V		C5503	NCBA1AK-104W	CAPACITOR 0.1μF,10V
	C4202	NCBA1AK-104W	CAPACITOR 0.1μF,10V		C5504	NCBA1AK-104W	CAPACITOR 0.1μF,10V
	C4203	NCB30JK-105X	CAPACITOR 1μF,6.3V		C5505	NCBA1AK-104W	CAPACITOR 0.1μF,10V
	C4204	NCBA1AK-104W	CAPACITOR 0.1μF,10V		C5506	NBE40GM-476X	T CAPACITOR 47μF,4.0V
	C4205	NCBA1AK-104W	CAPACITOR 0.1μF,10V		C5507	NCBA1AK-104W	CAPACITOR 0.1μF,10V
	C4206	NCB21CK-105X	CAPACITOR 1μF,16V		C5508	NCBA1AK-104W	CAPACITOR 0.1μF,10V
	C4207	NCBA1AK-104W	CAPACITOR 0.1μF,10V		C5509	NCBA1AK-104W	CAPACITOR 0.1μF,10V
	C4208	NCBA1HK-392W	CAPACITOR 0.0039μF,50V		C5510	NBP21VM-105X	T CAPACITOR 1μF,35V
	C4209	NCB30JK-105X	CAPACITOR 1μF,6.3V		C5511	NBP21DM-475X	T CAPACITOR 4.7μF,20V
	C4210	NCBA1AK-104W	CAPACITOR 0.1μF,10V		C5512	NBE21AM-106X	T CAPACITOR 10μF,10V
	C4211	NCBA1AK-104W	CAPACITOR 0.1μF,10V		C5513	NCB31CK-104X	CAPACITOR 0.1μF,16V
	C4212	NCBA1AK-104W	CAPACITOR 0.1μF,10V		C5514	NCBA1AK-104W	CAPACITOR 0.1μF,10V
	C4213	NCBA1AK-104W	CAPACITOR 0.1μF,10V		C5515	NCBA1AK-104W	CAPACITOR 0.1μF,10V
	C4214	NCBA1AK-104W	CAPACITOR 0.1μF,10V		C5516	NCBA1AK-104W	CAPACITOR 0.1μF,10V
	C4215	NCBA1AK-104W	CAPACITOR 0.1μF,10V		C5517	NCB31CK-104X	CAPACITOR 0.1μF,16V
	C4216	NCBA1AK-104W	CAPACITOR 0.1μF,10V		C5518	NCBA1AK-104W	CAPACITOR 0.1μF,10V
	C4301	NCBA1AK-104W	CAPACITOR 0.1μF,10V		C5519	NCBA1AK-104W	CAPACITOR 0.1μF,10V
	C4303	NCBA1AK-104W	CAPACITOR 0.1μF,10V		C6001	NCBA1CK-103W	CAPACITOR 0.01μF,16V
	C4304	NCBA1AK-104W	CAPACITOR 0.1μF,10V		C6002	NCFA1AZ-104W	CAPACITOR 0.1μF,10V
	C4305	NBE20JM-106X	T CAPACITOR 10μF,6.3V		C6003	NBE20JM-106X	T CAPACITOR 10μF,6.3V
	C4306	NCBA1AK-104W	CAPACITOR 0.1μF,10V		C6004	NCB21CK-105X	CAPACITOR 1μF,16V
	C4307	NBE20JM-106X	T CAPACITOR 10μF,6.3V		C6005	NDCA1HJ-101W	CAPACITOR 100pF,50V
	C4308	NCBA1AK-104W	CAPACITOR 0.1μF,10V		C6101	NCB21CK-105X	CAPACITOR 1μF,16V
	C4309	NCBA1AK-104W	CAPACITOR 0.1μF,10V		C6102	NBP41CM-106X	T CAPACITOR 10μF,16V
	C4310	NBE20JM-106X	T CAPACITOR 10μF,6.3V		C6103	NCB21CK-105X	CAPACITOR 1μF,16V
	C4311	NCB30JK-105X	CAPACITOR 1μF,6.3V		C6105	NCB21CK-105X	CAPACITOR 1μF,16V
	C4312	NCBA1AK-104W	CAPACITOR 0.1μF,10V		C6106	NCB21CK-105X	CAPACITOR 1μF,16V
	C4313	NBE20JM-226X	T CAPACITOR 22μF,6.3V		C6107	NCB21CK-105X	CAPACITOR 1μF,16V
	C4314	NCBA1AK-104W	CAPACITOR 0.1μF,10V		C6108	NCB21CK-105X	CAPACITOR 1μF,16V
	C4315	NBE20JM-106X	T CAPACITOR 10μF,6.3V		C6109	NCB21CK-105X	CAPACITOR 1μF,16V
	C4317	NCBA1AK-104W	CAPACITOR 0.1μF,10V		C6110	NCBA1AK-104W	CAPACITOR 0.1μF,10V
	C4318	NCBA1AK-104W	CAPACITOR 0.1μF,10V		C6111	NCBA1AK-104W	CAPACITOR 0.1μF,10V
	C4319	NCBA1AK-104W	CAPACITOR 0.1μF,10V		C6112	NCBA1AK-333W	CAPACITOR 0.033μF,10V
	C4320	NCBA1AK-104W	CAPACITOR 0.1μF,10V		C6113	NCBA1HK-561W	CAPACITOR 560pF,50V
	C4321	NCBA1AK-104W	CAPACITOR 0.1μF,10V		C6114	NCBA1HK-272W	CAPACITOR 0.0027μF,50V
	C4323	NCBA1AK-104W	CAPACITOR 0.1μF,10V		C6115	NCBA1HK-561W	CAPACITOR 560pF,50V
	C4324	NBE20JM-106X	T CAPACITOR 10μF,6.3V		C6116	NCBA1CK-103W	CAPACITOR 0.01μF,16V
	C4325	NCBA1AK-104W	CAPACITOR 0.1μF,10V		C6117	NCBA1AK-104W	CAPACITOR 0.1μF,10V
	C4327	NCBA1AK-104W	CAPACITOR 0.1μF,10V		C6118	NCBA1AK-104W	CAPACITOR 0.1μF,10V
	C4328	NCBA1AK-104W	CAPACITOR 0.1μF,10V		C6119	NDCA1HJ-101W	CAPACITOR 100pF,50V
	C4329	NCBA1AK-104W	CAPACITOR 0.1μF,10V		C6120	NCB11CK-105X	CAPACITOR 1μF,16V
	C4330	NCBA1AK-104W	CAPACITOR 0.1μF,10V		C6121	NCB31CK-104X	CAPACITOR 0.1μF,16V
	C4331	NBE20JM-106X	T CAPACITOR 10μF,6.3V		C6122	NCBA1CK-223W	CAPACITOR,DVM55U 0.022μF,16V
	C4332	NCBA1AK-104W	CAPACITOR 0.1μF,10V			NCBA1AK-333W	CAPACITOR,DVM75U 0.033μF,10V
	C4333	NCBA1AK-104W	CAPACITOR 0.1μF,10V		C6123	NCBA1CK-103W	CAPACITOR 0.01μF,16V
	C4334	NCBA1AK-104W	CAPACITOR 0.1μF,10V		C6124	NCBA1CK-103W	CAPACITOR 0.01μF,16V
	C4335	NCBA1AK-104W	CAPACITOR 0.1μF,10V		C6125	NCBA1CK-103W	CAPACITOR 0.01μF,16V
	C4336	NCBA1AK-104W	CAPACITOR 0.1μF,10V		C6126	NCBA1CK-103W	CAPACITOR 0.01μF,16V
	C4337	NCBA1AK-104W	CAPACITOR 0.1μF,10V		C6127	NCBA1HK-102W	CAPACITOR 0.001μF,50V
	C4338	NCBA1AK-104W	CAPACITOR 0.1μF,10V		C6128	NCB21CK-105X	CAPACITOR 1μF,16V
	C4339	NCBA1AK-104W	CAPACITOR 0.1μF,10V		C6129	NCBA1HK-561W	CAPACITOR 560pF,50V
	C4340	NCBA1AK-104W	CAPACITOR 0.1μF,10V		C6130	NCBA1AK-104W	CAPACITOR 0.1μF,10V
	C4341	NCBA1AK-104W	CAPACITOR 0.1μF,10V		C6132	NCBA1AK-104W	CAPACITOR 0.1μF,10V
	C4342	NCBA1AK-104W	CAPACITOR 0.1μF,10V		C6134	NCBA1AK-104W	CAPACITOR 0.1μF,10V
	C4343	NCBA1AK-104W	CAPACITOR 0.1μF,10V		C6201	NCB21CK-105X	CAPACITOR 1μF,16V
	C4344	NCBA1AK-104W	CAPACITOR 0.1μF,10V		C6202	NCB10JK-106X	CAPACITOR 10μF,6.3V
	C4345	NCBA1AK-104W	CAPACITOR 0.1μF,10V		C6203	NCBA1HK-102W	CAPACITOR 0.001μF,50V
	C4346	NCBA1AK-104W	CAPACITOR 0.1μF,10V		C6204	NCBA1HK-561W	CAPACITOR 560pF,50V
	C4347	NCBA1AK-104W	CAPACITOR 0.1μF,10V		C6205	NCB21CK-105X	CAPACITOR 1μF,16V

#	△ REF No.	PART No.	PART NAME, DESCRIPTION	#	△ REF No.	PART No.	PART NAME, DESCRIPTION
C6206		NCB21CK-105X	CAPACITOR 1μF,16V	C8034		NCBA1CK-103W	CAPACITOR,DVM75U 0.01μF,16V
C6207		NCB10JK-106X	CAPACITOR 10μF,6.3V	C8035		NCBA1CK-103W	CAPACITOR,DVM75U 0.01μF,16V
C6208		NCBA1EK-472W	CAPACITOR 0.0047μF,25V	C8036		NCBA1CK-103W	CAPACITOR,DVM75U 0.01μF,16V
C6209		NCB21CK-105X	CAPACITOR 1μF,16V	C8037		NCBA1CK-103W	CAPACITOR,DVM75U 0.01μF,16V
C6210		NCB10JK-106X	CAPACITOR 10μF,6.3V	C8038		NCBA1CK-103W	CAPACITOR,DVM75U 0.01μF,16V
C6211		NCBA1HK-102W	CAPACITOR 0.001μF,50V	C8039		NCBA1CK-103W	CAPACITOR,DVM75U 0.01μF,16V
C6214		NCB21CK-105X	CAPACITOR 1μF,16V	C8040		NCBA1CK-103W	CAPACITOR,DVM75U 0.01μF,16V
C6215		NCB21CK-105X	CAPACITOR 1μF,16V	C8041		NCBA1CK-103W	CAPACITOR,DVM75U 0.01μF,16V
C6216		NCBA1AK-683W	CAPACITOR 0.068μF,10V	C8042		NCBA1CK-103W	CAPACITOR,DVM75U 0.01μF,16V
C6217		NCB21CK-105X	CAPACITOR 1μF,16V	C8043		NCBA1CK-103W	CAPACITOR,DVM75U 0.01μF,16V
C6218		NCB21CK-105X	CAPACITOR 1μF,16V	C8044		NBE20JM-226X	T CAPACITOR,DVM75U 22μF,6.3V
C6219		NCB21CK-224X	CAPACITOR 0.22μF,16V	C8045		NBE20JM-226X	T CAPACITOR,DVM75U 22μF,6.3V
C6220		NCB21CK-105X	CAPACITOR 1μF,16V	C8046		NBE20JM-106X	T CAPACITOR,DVM75U 10μF,6.3V
C6221		NCB11EK-105X	CAPACITOR 1μF,25V	C8048		NBE20JM-226X	T CAPACITOR,DVM75U 22μF,6.3V
C6222		NCB11EK-105X	CAPACITOR 1μF,25V	C8049		NCBA1CK-103W	CAPACITOR,DVM75U 0.01μF,16V
C6224		NCBA1HK-102W	CAPACITOR 0.001μF,50V	C8050		NCBA1CK-103W	CAPACITOR,DVM75U 0.01μF,16V
C6225		NCBA1CK-103W	CAPACITOR 0.01μF,16V	C8051		NBE20JM-226X	T CAPACITOR,DVM75U 22μF,6.3V
C6226		NCB21CK-105X	CAPACITOR 1μF,16V	C8052		NCBA1CK-103W	CAPACITOR,DVM75U 0.01μF,16V
C6227		NCB11EK-105X	CAPACITOR 1μF,25V	C8054		NCB31HK-392X	CAPACITOR,DVM75U 0.0039μF,50V
C6228		NCB11EK-105X	CAPACITOR 1μF,25V	C8056		NCBA1CK-103W	CAPACITOR,DVM75U 0.01μF,16V
C6230		NCB21CK-105X	CAPACITOR 1μF,16V	C8057		NCBA1CK-103W	CAPACITOR,DVM75U 0.01μF,16V
C6601		NCBA1CK-103W	CAPACITOR,DVM75U 0.01μF,16V	C8058		NCBA1AK-104W	CAPACITOR,DVM75U 0.1μF,10V
C6602		NCB21CK-105X	CAPACITOR,DVM75U 1μF,16V	C8059		NCBA1CK-103W	CAPACITOR,DVM75U 0.01μF,16V
C6603		NCBA1HK-102W	CAPACITOR,DVM75U 0.001μF,50V	C8060		NCBA1CK-103W	CAPACITOR,DVM75U 0.01μF,16V
C6604		NCBA1AK-473W	CAPACITOR,DVM75U 0.047μF,10V	C8063		NBE20JM-226X	T CAPACITOR,DVM75U 22μF,6.3V
C6611		NCBA1CK-223W	CAPACITOR,DVM75U 0.022μF,16V	C8064		NBE20JM-226X	T CAPACITOR,DVM75U 22μF,6.3V
C6612		NDCA1EJ-221W	CAPACITOR,DVM75U 220pF,25V	C8065		NBE20JM-226X	T CAPACITOR,DVM75U 22μF,6.3V
C6613		NDCA1EJ-121W	CAPACITOR,DVM75U 120pF,25V	C8101		NBE20JM-106X	T CAPACITOR,DVM75U 10μF,6.3V
C6701		NCB21CK-105X	CAPACITOR 1μF,16V	C8102		NBE20JM-106X	T CAPACITOR,DVM75U 10μF,6.3V
C6703		NCB11CK-105X	CAPACITOR 1μF,16V	C8103		NCBA1CK-103W	CAPACITOR,DVM75U 0.01μF,16V
C7001		NCBA1AK-104W	CAPACITOR 0.1μF,10V	C8104		NCBA1CK-103W	CAPACITOR,DVM75U 0.01μF,16V
C7002		NCB21CK-105X	CAPACITOR 1μF,16V	C8105		NCBA1CK-103W	CAPACITOR,DVM75U 0.01μF,16V
C7003		NCB21AK-225X	CAPACITOR 2.2μF,10V	C8106		NCBA1CK-103W	CAPACITOR,DVM75U 0.01μF,16V
C7004		NBE81AM-106X	T CAPACITOR,DVM75U 10μF,10V	C8107		NCBA1CK-103W	CAPACITOR,DVM75U 0.01μF,16V
		NBE21AM-106X	T CAPACITOR,DVM55U 10μF,10V	C8108		NCBA1CK-103W	CAPACITOR,DVM75U 0.01μF,16V
C8001		NBE90JM-106X	T CAPACITOR 10μF,6.3V	C8109		NCBA1CK-103W	CAPACITOR,DVM75U 0.01μF,16V
C8002		NCBA1CK-103W	CAPACITOR,DVM75U 0.01μF,16V	C8110		NCBA1CK-103W	CAPACITOR,DVM75U 0.01μF,16V
C8003		NCBA1CK-103W	CAPACITOR,DVM75U 0.01μF,16V	C8111		NCBA1CK-103W	CAPACITOR,DVM75U 0.01μF,16V
C8004		NCBA1CK-103W	CAPACITOR,DVM75U 0.01μF,16V	C8112		NCBA1CK-103W	CAPACITOR,DVM75U 0.01μF,16V
C8005		NCBA1AK-104W	CAPACITOR,DVM75U 0.1μF,10V	C8113		NCBA1CK-103W	CAPACITOR,DVM75U 0.01μF,16V
C8006		NCBA1AK-104W	CAPACITOR,DVM75U 0.1μF,10V	C8114		NCBA1CK-103W	CAPACITOR,DVM75U 0.01μF,16V
C8007		NBE20JM-106X	T CAPACITOR,DVM75U 10μF,6.3V	C8115		NCBA1CK-103W	CAPACITOR,DVM75U 0.01μF,16V
C8008		NCB30JK-105X	CAPACITOR,DVM75U 1μF,6.3V	C8116		NCBA1CK-103W	CAPACITOR,DVM75U 0.01μF,16V
C8009		NCBA1AK-104W	CAPACITOR,DVM75U 0.1μF,10V	C8117		NDCA1HJ-5R0W	CAPACITOR,DVM75U 5pF,50V
C8010		NBE20JM-106X	T CAPACITOR,DVM75U 10μF,6.3V	C8118		NDCA1HJ-5R0W	CAPACITOR,DVM75U 5pF,50V
C8011		NCB30JK-105X	CAPACITOR,DVM75U 1μF,6.3V	C8119		NCBA1CK-103W	CAPACITOR,DVM75U 0.01μF,16V
C8014		NCB30JK-105X	CAPACITOR,DVM75U 1μF,6.3V	C8401		NBE20JM-106X	T CAPACITOR,DVM75U 10μF,6.3V
C8015		NCBA1AK-104W	CAPACITOR,DVM75U 0.1μF,10V	C8402		NCBA1AK-104W	CAPACITOR,DVM75U 0.1μF,10V
C8017		NCBA1AK-104W	CAPACITOR,DVM75U 0.1μF,10V	C8403		NCBA1AK-104W	CAPACITOR,DVM75U 0.1μF,10V
C8020		NBE20JM-106X	T CAPACITOR,DVM75U 10μF,6.3V	C8404		NCBA1AK-104W	CAPACITOR,DVM75U 0.1μF,10V
C8021		NCBA1CK-103W	CAPACITOR,DVM75U 0.01μF,16V	C8405		NBE20JM-106X	T CAPACITOR,DVM75U 10μF,6.3V
C8022		NCBA1CK-103W	CAPACITOR,DVM75U 0.01μF,16V	L1001		NQL315K-100X	COIL 10μH
C8023		NCBA1CK-103W	CAPACITOR,DVM75U 0.01μF,16V	L1002		NQL315K-100X	COIL 10μH
C8024		NCBA1CK-103W	CAPACITOR,DVM75U 0.01μF,16V	L1101		NQL402M-100X	COIL 10μH
C8025		NCBA1CK-103W	CAPACITOR,DVM75U 0.01μF,16V	L1401		NQR0006-001X	FERRITE BEAD
C8026		NCBA1CK-103W	CAPACITOR,DVM75U 0.01μF,16V	L1402		NRSA02J-0R0X	MG RESISTOR 0Ω,1/10W
C8027		NCBA1CK-103W	CAPACITOR,DVM75U 0.01μF,16V	L3001		NQR0006-001X	FERRITE BEAD
C8028		NCBA1CK-103W	CAPACITOR,DVM75U 0.01μF,16V	L3002		NQR0129-002X	FERRITE BEAD
C8029		NCBA1CK-103W	CAPACITOR,DVM75U 0.01μF,16V	L3003		NQR0129-002X	FERRITE BEAD
C8030		NCBA1CK-103W	CAPACITOR,DVM75U 0.01μF,16V	L3004		NQR0006-001X	FERRITE BEAD
C8031		NCBA1CK-103W	CAPACITOR,DVM75U 0.01μF,16V	L3005		NQR0129-002X	FERRITE BEAD
C8032		NCBA1CK-103W	CAPACITOR,DVM75U 0.01μF,16V	L3006		NQR0006-001X	FERRITE BEAD
C8033		NCBA1CK-103W	CAPACITOR,DVM75U 0.01μF,16V	L3007		NQL085J-2R2X	COIL 2.2μH

#	△ REF No.	PART No.	PART NAME, DESCRIPTION	#	△ REF No.	PART No.	PART NAME, DESCRIPTION
		or RN2104	TRANSISTOR,DVM75U	R4821		NRSA6AJ-104W	MG RESISTOR 100kΩ,1/16W
Q4805		DTA143EE	TRANSISTOR,DVM75U	R4822		NRSA6AJ-333W	MG RESISTOR 33kΩ,1/16W
		or RN2101	TRANSISTOR,DVM75U	R4823		NRSA6AJ-102W	MG RESISTOR 1kΩ,1/16W
		or UN911LJ	TRANSISTOR,DVM75U	R4824		NRSA6AJ-472W	MG RESISTOR 4.7kΩ,1/16W
Q4851		2SC4617/RS/-X	TRANSISTOR	R4825		NRSA6AJ-222W	MG RESISTOR,DVM75U 2.2kΩ,1/16W
D1602		DAP222	DIODE	R4826		NRSA6AJ-473W	MG RESISTOR,DVM75U 47kΩ,1/16W
D1603		DAP222	DIODE	R4827		NRSA6AJ-0R0W	MG RESISTOR 0Ω,1/16W
D1604		DAP222	DIODE	R4828		NRSA6AJ-0R0W	MG RESISTOR 0Ω,1/16W
D1801		TLSU1002/LM/-X	LE DIODE	R4833		NRSA6AJ-104W	MG RESISTOR 100kΩ,1/16W
R1091		NRSA6AJ-682W	MG RESISTOR,DVM75U 6.8kΩ,1/16W	R4836		NRSA6AJ-102W	MG RESISTOR 1kΩ,1/16W
R1092		NRSA6AJ-392W	MG RESISTOR,DVM75U 3.9kΩ,1/16W	R4837		NRSA6AJ-0R0W	MG RESISTOR,DVM75U 0Ω,1/16W
R1093		NRSA6AJ-272W	MG RESISTOR,DVM75U 2.7kΩ,1/16W	R4839		NRSA6AJ-0R0W	MG RESISTOR,DVM75U 0Ω,1/16W
R1094		NRSA6AJ-182W	MG RESISTOR,DVM75U 1.8kΩ,1/16W	R4840		NRSA6AJ-0R0W	MG RESISTOR,DVM75U 0Ω,1/16W
R1095		NRSA6AJ-152W	MG RESISTOR,DVM75U 1.5kΩ,1/16W	R4841		NRSA6AJ-0R0W	MG RESISTOR,DVM55U 0Ω,1/16W
R1096		NRSA6AJ-103W	MG RESISTOR,DVM75U 10kΩ,1/16W	R4842		NRSA6AJ-0R0W	MG RESISTOR,DVM55U 0Ω,1/16W
R1601		NRSA6AJ-681W	MG RESISTOR 680Ω,1/16W	R4846		NRSA6AJ-0R0W	MG RESISTOR,DVM75U 0Ω,1/16W
R1602		NRSA6AJ-124W	MG RESISTOR 120kΩ,1/16W	R4849		NRSA6AJ-0R0W	MG RESISTOR,DVM75U 0Ω,1/16W
R1603		NRSA6AJ-472W	MG RESISTOR 4.7kΩ,1/16W	R4854		NRSA6AJ-0R0W	MG RESISTOR 0Ω,1/16W
R1604		NRSA6AJ-104W	MG RESISTOR 100kΩ,1/16W	R4856		NRSA63J-6R8X	MG RESISTOR 6.8Ω,1/16W
R1605		NRV142F-R22X	CMF RESISTOR 0.22Ω,1/4W	R4857		NRSA63J-6R8X	MG RESISTOR 6.8Ω,1/16W
R1606		NRSA6AJ-103W	MG RESISTOR 10kΩ,1/16W	R4858		NRSA6AJ-333W	MG RESISTOR 33kΩ,1/16W
R1608		NRSA02J-0R0X	MG RESISTOR 0Ω,1/10W	R4859		NRSA6AJ-0R0W	MG RESISTOR 0Ω,1/16W
R1609		NRV142F-R33X	CMF RESISTOR 0.33Ω,1/4W	R4860		NRSA6AJ-0R0W	MG RESISTOR 0Ω,1/16W
R1610		NRSA6AJ-471W	MG RESISTOR 470Ω,1/16W	R4862		NRSA63J-6R8X	MG RESISTOR 6.8Ω,1/16W
R1611		NRSA6AJ-471W	MG RESISTOR 470Ω,1/16W	R4863		NRSA63J-6R8X	MG RESISTOR 6.8Ω,1/16W
R1612		NRSA6AJ-104W	MG RESISTOR 100kΩ,1/16W	R4864		NRSA6AJ-102W	MG RESISTOR 1kΩ,1/16W
R1613		NRSA6AJ-102W	MG RESISTOR 1kΩ,1/16W	R4865		NRSA6AJ-102W	MG RESISTOR 1kΩ,1/16W
R1614		NRSA6AJ-682W	MG RESISTOR 6.8kΩ,1/16W	R4866		NRSA6AJ-102W	MG RESISTOR 1kΩ,1/16W
R1615		NRSA6AJ-103W	MG RESISTOR 10kΩ,1/16W	R4867		NRSA6AJ-102W	MG RESISTOR 1kΩ,1/16W
R1616		NRSA6AJ-391W	MG RESISTOR 390Ω,1/16W	R4868		NRSA6AJ-0R0W	MG RESISTOR 0Ω,1/16W
R1617		NRSA6AJ-224W	MG RESISTOR 220kΩ,1/16W	R4870		NRSA6AJ-271W	MG RESISTOR 270Ω,1/16W
R1618		NRSA6AJ-154W	MG RESISTOR 150kΩ,1/16W	R4871		NRSA6AJ-0R0W	MG RESISTOR 0Ω,1/16W
R1619		NRSA6AJ-223W	MG RESISTOR 22kΩ,1/16W	R4874		NRSA6AJ-0R0W	MG RESISTOR 0Ω,1/16W
R1620		NRSA6AJ-103W	MG RESISTOR 10kΩ,1/16W	C1601		NCBA1CK-103W	CAPACITOR 0.01μF,16V
R1621		NRSA6AJ-103W	MG RESISTOR 10kΩ,1/16W	C1602		NBE21AM-106X	T CAPACITOR 10μF,10V
R1622		NRSA6AJ-103W	MG RESISTOR 10kΩ,1/16W	C1603		NBE21AM-106X	T CAPACITOR 10μF,10V
R1624		NRVA6AD-123W	CMF RESISTOR 12kΩ,1/16W	C1605		NCBA1AK-104W	CAPACITOR 0.1μF,10V
R1625		NRSA6AJ-181W	MG RESISTOR 180Ω,1/16W	C1606		NCBA1HK-152W	CAPACITOR 0.0015μF,50V
R1626		NRSA6AJ-181W	MG RESISTOR 180Ω,1/16W	C1607		NCBA1AK-473W	CAPACITOR 0.047μF,10V
R1628		NRVA6AD-361W	CMF RESISTOR 360Ω,1/16W	C1614		NBE21AM-106X	T CAPACITOR 10μF,10V
R1629		NRSA6AJ-684W	MG RESISTOR 680kΩ,1/16W	C1618		NCBA1HK-222W	CAPACITOR 0.0022μF,50V
R1630		NRSA6AJ-0R0W	MG RESISTOR 0Ω,1/16W	C1619		NCBA1HK-222W	CAPACITOR 0.0022μF,50V
R1631		NRSA6AJ-0R0W	MG RESISTOR 0Ω,1/16W	C1620		NCBA1HK-222W	CAPACITOR 0.0022μF,50V
R1635		NRSA6AJ-472W	MG RESISTOR 4.7kΩ,1/16W	C1621		NCB21AK-105X	CAPACITOR 1μF,10V
R1636		NRSA6AJ-103W	MG RESISTOR 10kΩ,1/16W	C1622		NCBA1CK-223W	CAPACITOR 0.022μF,16V
R1637		NRSA6AJ-124W	MG RESISTOR 120kΩ,1/16W	C1623		NCBA1AK-473W	CAPACITOR 0.047μF,10V
R1802		NRSA6AJ-470W	MG RESISTOR 47Ω,1/16W	C1624		NCB31EK-103X	CAPACITOR 0.01μF,25V
R4804		NRVA6AD-331W	CMF RESISTOR 330Ω,1/16W	C1625		NCBA1AK-473W	CAPACITOR 0.047μF,10V
R4805		NRSA6AJ-103W	MG RESISTOR 10kΩ,1/16W	C1626		NCBA1HK-331W	CAPACITOR 330pF,50V
R4806		NRSA6AJ-683W	MG RESISTOR 68kΩ,1/16W	C1627		NCBA1CK-822W	CAPACITOR 0.0082μF,16V
R4807		NRSA6AJ-563W	MG RESISTOR 56kΩ,1/16W	C1628		NCB21CK-224X	CAPACITOR 0.22μF,16V
R4808		NRSA6AJ-243W	MG RESISTOR 24kΩ,1/16W	C1632		NBE21AM-106X	T CAPACITOR 10μF,10V
R4809		NRSA6AJ-561W	MG RESISTOR 560Ω,1/16W	C1633		NCF21CZ-684X	CAPACITOR 0.68μF,16V
R4810		NRSA6AJ-103W	MG RESISTOR 10kΩ,1/16W	C1635		NCBA1AK-104W	CAPACITOR 0.1μF,10V
R4811		NRSA6AJ-684W	MG RESISTOR 680kΩ,1/16W	C1641		NCB31AK-474X	CAPACITOR 0.47μF,10V
R4812		NRSA6AJ-153W	MG RESISTOR 15kΩ,1/16W	C1801		NBE21AM-106X	T CAPACITOR 10μF,10V
R4814		NRSA6AJ-105W	MG RESISTOR 1MΩ,1/16W	C4803		NBE20JM-106X	T CAPACITOR 10μF,6.3V
R4815		NRSA6AJ-472W	MG RESISTOR 4.7kΩ,1/16W	C4804		NCFA1AZ-104W	CAPACITOR 0.1μF,10V
R4816		NRSA6AJ-105W	MG RESISTOR 1MΩ,1/16W	C4805		NCFA1AZ-104W	CAPACITOR 0.1μF,10V
R4817		NRSA6AJ-334W	MG RESISTOR 330kΩ,1/16W	C4806		NCFA1AZ-104W	CAPACITOR 0.1μF,10V
R4818		NRSA6AJ-154W	MG RESISTOR 150kΩ,1/16W	C4808		NCB30JK-105X	CAPACITOR 1μF,6.3V
R4819		NRSA6AJ-103W	MG RESISTOR 10kΩ,1/16W	C4809		NCFA1AZ-104W	CAPACITOR 0.1μF,10V
R4820		NRSA6AJ-104W	MG RESISTOR 100kΩ,1/16W	C4810		NCFA1HZ-103W	CAPACITOR 0.01μF,50V

#	△ REF No.	PART No.	PART NAME, DESCRIPTION	
C4811		NCFA1HZ-103W	CAPACITOR	0.01μF,50V
C4812		NCFA1AZ-104W	CAPACITOR	0.1μF,10V
C4813		NCFA1AZ-104W	CAPACITOR	0.1μF,10V
C4814		NCFA1AZ-104W	CAPACITOR	0.1μF,10V
C4815		NCB31HK-152X	CAPACITOR	0.0015μF,50V
C4819		NCF31CZ-104X	CAPACITOR	0.1μF,16V
C4851		NBE20JM-106X	T CAPACITOR	10μF,6.3V
C4852		NCFA1AZ-104W	CAPACITOR	0.1μF,10V
C4853		NBE21AM-335X	T CAPACITOR	3.3μF,10V
C4854		NBE21AM-106X	T CAPACITOR	10μF,10V
C4855		NCB31CK-104X	CAPACITOR	0.1μF,16V
C4858		NDCA1HJ-680W	CAPACITOR	68pF,50V
C4859		NCBA1HK-102W	CAPACITOR	0.001μF,50V
C4860		NCBA1HK-102W	CAPACITOR	0.001μF,50V
C4861		NCBA1HK-102W	CAPACITOR	0.001μF,50V
C4862		NCBA1HK-102W	CAPACITOR	0.001μF,50V
C4864		NBE20JM-106X	T CAPACITOR	10μF,6.3V
C4865		NCBA1AK-104W	CAPACITOR	0.1μF,10V
L4802		NQL302N-100X	COIL	10μH
L4851		NQR0129-002X	FERRITE BEAD	
L4852		NQL315K-100X	COIL	10μH
L4853		NQL315K-100X	COIL	10μH
CN201		QGF0505F2-06X	FPC CONNECTOR	
CN202		QGF0505F2-11X	FPC CONNECTOR	
CN203		QGF0505F2-18X	FPC CONNECTOR	
CN204		QGF0507F3-15X	FFC/FPC CONNECTOR	
CN205		QGF0508F1-24X	FPC CONNECTOR	
CN206		QGB0405M1-80X	CONNECTOR	
CN207		QGF0505F2-07X	FPC CONNECTOR,DVM75U	
CN208		QGF0508F1-20X	FPC CONNECTOR	
OT1		LY30029-0E4A	SPACER(A),DVM75U	
OT2		LY30029-0H6A	SPACER(A),DVM75U	

CCD BOARD ASSEMBLY <03>

PW	YB10322A-01	CCD BOARD ASSY,DVM75U	
	YB10322B-01	CCD BOARD ASSY,DVM55U	
Q5001	2SC3931/CD/-X	TRANSISTOR	
Q5002	2SC4081/RS/-X	TRANSISTOR,DVM75U	
R5001	NRSA02J-472X	MG RESISTOR	4.7kΩ,1/10W
R5002	NRSA02J-0R0X	MG RESISTOR	0Ω,1/10W
R5003	NRSA02J-104X	MG RESISTOR	100kΩ,1/10W
R5005	NRSA02J-472X	MG RESISTOR,DVM75U	4.7kΩ,1/10W
C5001	NCB21CK-104X	CAPACITOR	0.1μF,16V
C5002	NBP41DM-106X	T CAPACITOR	10μF,20V
C5003	NCB21CK-104X	CAPACITOR	0.1μF,16V
C5004	NBE21AM-106X	T CAPACITOR	10μF,10V
C5005	NCB11EK-104X	CAPACITOR	0.1μF,25V
C5006	NCB21CK-104X	CAPACITOR	0.1μF,16V
C5007	NCB21HK-222X	CAPACITOR	0.0022μF,50V
C5011	NCB21CK-105X	CAPACITOR	1μF,16V
L5001	NQL315K-100X	COIL	

#	△ REF No.	PART No.	PART NAME, DESCRIPTION	

MONITOR BOARD ASSEMBLY <04>

PW	YB10321A-01	MONITOR BOARD ASSY	
IC7601	AN2540FHQ	IC	
IC7602	BA15532F	IC	
IC7603	X25057M8-2.7-X	IC	
IC7604	SN74LV08APW	IC	
IC7606	MM1385HN	IC	
Q7501	FP211	PAIR TRANSISTOR	
Q7503	DTA144EE	TRANSISTOR	
Q7504	2SC4617/QR/-X	TRANSISTOR	
Q7601	2SC4617/QR/-X	TRANSISTOR	
Q7602	2SA1774/QR/-X	TRANSISTOR	
Q7603	2SC4617/QR/-X	TRANSISTOR	
Q7604	2SA1774/QR/-X	TRANSISTOR	
Q7608	DTC144EE	TRANSISTOR	
Q7609	DTC144EE	TRANSISTOR	
Q7610	DTA144EE	TRANSISTOR	
D7601	RB471E	SB DIODE	
R7501	NRSA6AJ-102W	MG RESISTOR	1kΩ,1/16W
R7502	NRSA6AJ-102W	MG RESISTOR	1kΩ,1/16W
R7503	NRSA6AJ-102W	MG RESISTOR	1kΩ,1/16W
R7506	NRSA6AJ-473W	MG RESISTOR	47kΩ,1/16W
R7507	NRSA6AJ-473W	MG RESISTOR	47kΩ,1/16W
R7601	NRVA6AD-622W	CMF RESISTOR	6.2kΩ,1/16W
R7602	NRSA6AJ-153W	MG RESISTOR	15kΩ,1/16W
R7603	NRSA6AJ-223W	MG RESISTOR	22kΩ,1/16W
R7608	NRSA6AJ-153W	MG RESISTOR	15kΩ,1/16W
R7609	NRVA6AD-223W	CMF RESISTOR	22kΩ,1/16W
R7610	NRVA6AD-433W	CMF RESISTOR	43kΩ,1/16W
R7611	NRVA6AD-821W	CMF RESISTOR	820Ω,1/16W
R7612	NRVA6AD-223W	CMF RESISTOR	22kΩ,1/16W
R7613	NRVA6AD-223W	CMF RESISTOR	22kΩ,1/16W
R7614	NRVA6AD-223W	CMF RESISTOR	22kΩ,1/16W
R7615	NRSA6AJ-223W	MG RESISTOR	22kΩ,1/16W
R7616	NRSA6AJ-223W	MG RESISTOR	22kΩ,1/16W
R7617	NRSA02J-561X	MG RESISTOR	560Ω,1/10W
R7618	NRSA02J-561X	MG RESISTOR	560Ω,1/10W
R7630	NRSA6AJ-223W	MG RESISTOR	22kΩ,1/16W
R7631	NRSA6AJ-335W	MG RESISTOR	3.3MΩ,1/16W
R7633	NRSA6AJ-0R0W	MG RESISTOR	0Ω,1/16W
R7635	NRSA6AJ-0R0W	MG RESISTOR	0Ω,1/16W
C7501	NCZ1016-120X	CAPACITOR	12pF,2kV
C7502	NCZ1016-150X	CAPACITOR	15pF,2kV
C7503	NFV41HJ-273X	MPPS CAPACITOR	0.027μF,50V
C7504	NCB31EK-103X	CAPACITOR	0.01μF,25V
C7505	NBE20JM-226X	T CAPACITOR	22μF,6.3V
C7601	NCB30JK-105X	CAPACITOR	1μF,6.3V
C7602	NCBA1CK-103W	CAPACITOR	0.01μF,16V
C7603	NCZ1028-225X	CAPACITOR	2.2μF
C7604	NCZ1028-225X	CAPACITOR	2.2μF
C7605	NCZ1028-225X	CAPACITOR	2.2μF
C7606	NCB31CK-104X	CAPACITOR	0.1μF,16V
C7607	NBP41CM-106X	T CAPACITOR	10μF,16V
C7608	NCB31EK-103X	CAPACITOR	0.01μF,25V
C7609	NCB31CK-104X	CAPACITOR	0.1μF,16V
C7610	NCZ1028-225X	CAPACITOR	2.2μF
C7611	NCZ1028-225X	CAPACITOR	2.2μF
C7612	NCZ1028-225X	CAPACITOR	2.2μF
C7613	NBE20JM-225X	T CAPACITOR	2.2μF,6.3V
C7614	NCBA1HK-152W	CAPACITOR	0.0015μF,50V

#	△ REF No.	PART No.	PART NAME, DESCRIPTION
C7615		NCBA1CK-103W	CAPACITOR 0.01μF,16V
C7616		NCB31HK-102X	CAPACITOR 0.001μF,50V
C7617		NCBA1CK-103W	CAPACITOR 0.01μF,16V
C7618		NCB10JK-106X	CAPACITOR 10μF,6.3V
C7619		NCB10JK-106X	CAPACITOR 10μF,6.3V
C7620		NCBA1CK-103W	CAPACITOR 0.01μF,16V
C7621		NCB30JK-105X	CAPACITOR 1μF,6.3V
C7622		NCB30JK-105X	CAPACITOR 1μF,6.3V
C7623		NBE21AM-106X	T CAPACITOR 10μF,10V
C7624		NCBA1CK-103W	CAPACITOR 0.01μF,16V
C7626		NCBA1AK-104W	CAPACITOR 0.1μF,10V
C7627		NCBA1AK-104W	CAPACITOR 0.1μF,10V
C7628		NBP41EM-475X	T CAPACITOR 4.7μF,25V
C7629		NBP21CM-335X	T CAPACITOR 3.3μF,16V
C7630		NBP41EM-475X	T CAPACITOR 4.7μF,25V
C7631		NCB31EK-103X	CAPACITOR 0.01μF,25V
C7632		NCB11CK-225X	CAPACITOR 2.2μF,16V
C7633		NCB31EK-103X	CAPACITOR 0.01μF,25V
C7634		NBE90JM-106X	T CAPACITOR 10μF,6.3V
C7635		NCBA1CK-103W	CAPACITOR 0.01μF,16V
C7637		NCBA1CK-103W	CAPACITOR 0.01μF,16V
C7641		NCFA1AZ-104W	CAPACITOR 0.1μF,10V
C7643		NBE90JM-106X	T CAPACITOR 10μF,6.3V
C7646		NCFA1AZ-104W	CAPACITOR 0.1μF,10V
C7647		NCBA1CK-103W	CAPACITOR 0.01μF,16V
C7648		NCF21CZ-105X	CAPACITOR 1μF,16V
L7501		NQL54EM-680X	COIL 68μH
L7502		NQL54EM-220X	COIL 22μH
L7601		NQL04DK-220X	COIL 22μH
L7602		NQL04DK-220X	COIL 22μH
L7604		NQL04DK-220X	COIL 22μH
L7605		NQL04DK-220X	COIL 22μH
L7606		NQL04DK-220X	COIL 22μH
L7607		NQL04DK-220X	COIL 22μH
T7501		NQS0050-001X	SW TRANSF
CN761		QGF0304F1-39X	FFC/FPC CONNECTOR
CN762		QGF0517F1-24X	FPC CONNECTOR
△ F7501		NMFZ009-R375XJ1	FUSE T0.37A
OT1		LY43044-001A	SHEET(SHIELD)
OT2		LY30029-0E3A	SPACER(A)
OT3		LY30029-0E9A	SPACER(A)
OT4		LY30029-0G6A	SPACER(A)

JUNCTION BOARD ASSEMBLY <06>

PW2	YB10323A2-01	JUNCTION BOARD ASSY,DVM75U
	YB10323B2-01	JUNCTION BOARD ASSY,DVM55U
D8501	EMZ6.8N	ZENER DIODE,DVM75U
R8501	NRSA63J-0R0X	MG RESISTOR,DVM75U 0Ω,1/16W
R8502	NRSA63J-0R0X	MG RESISTOR,DVM75U 0Ω,1/16W
R8503	NRSA63J-0R0X	MG RESISTOR,DVM75U 0Ω,1/16W
R8504	NRSA63J-0R0X	MG RESISTOR,DVM75U 0Ω,1/16W
R8505	NRSA63J-473X	MG RESISTOR,DVM75U 47kΩ,1/16W
R8506	NRSA63J-103X	MG RESISTOR,DVM75U 10kΩ,1/16W
R8507	NRSA63J-103X	MG RESISTOR,DVM75U 10kΩ,1/16W
R8508	NRSA63J-473X	MG RESISTOR,DVM75U 47kΩ,1/16W
R8509	NRSA63J-473X	MG RESISTOR,DVM75U 47kΩ,1/16W
R8510	NRSA63J-104X	MG RESISTOR,DVM75U 100kΩ,1/16W

#	△ REF No.	PART No.	PART NAME, DESCRIPTION
R8512		NRSA63J-471X	MG RESISTOR 470Ω,1/16W
C8502		NBE20JM-106X	T CAPACITOR,DVM75U 10μF,6.3V
L8501		NQR0129-002X	FERRITE BEAD,DVM75U
△ BT8501		QAB0038-001	LI BATTERY
CN601		QGF0517F1-20X	FPC CONNECTOR
CN602		QGF0520F1-13X	FFC/FPC CONNECTOR
CN603		QGF0505F1-11X	FPC CONNECTOR,DVM75U

STROBE BOARD ASSEMBLY (DVM75U) <07>

PW	YB10249D-01	STROBE BOARD ASSY
IC6502	TC7SET08FU	IC(DIGITAL)
Q6501	2SB1462J/RS/-X	TRANSISTOR
Q6502	UN9211J	TRANSISTOR
	or DTC114EE	TRANSISTOR
△ Q6503	2SB1124/ST/-X	TRANSISTOR
Q6504	2SD1628/FG/-X	TRANSISTOR
Q6506	CT25ASJ-8-X	POW TRANSISTOR
D6501	F1F16	DIODE
D6502	DA121	DIODE
D6503	F1SN4	DIODE
D6504	CRG02	DIODE
R6501	NRSA63J-3R9X	MG RESISTOR 3.9Ω,1/16W
R6502	NRSA63J-4R7X	MG RESISTOR 4.7Ω,1/16W
R6504	NRSA6AJ-471W	MG RESISTOR 470Ω,1/16W
R6505	NRSA6AJ-222W	MG RESISTOR 2.2kΩ,1/16W
R6506	NRSA6AJ-152W	MG RESISTOR 1.5kΩ,1/16W
R6507	NRSA02J-106X	MG RESISTOR 10MΩ,1/10W
R6508	NRVA63D-184X	CMF RESISTOR 180kΩ,1/16W
R6514	NRSA02J-105X	MG RESISTOR 1MΩ,1/10W
R6515	NRS181J-220X	MG RESISTOR 22Ω,1/8W
R6516	NRSA02J-104X	MG RESISTOR 100kΩ,1/10W
R6519	NRSA02J-106X	MG RESISTOR 10MΩ,1/10W
R6520	NRSA6AJ-330W	MG RESISTOR 33Ω,1/16W
R6527	NRSA6AJ-391W	MG RESISTOR 390Ω,1/16W
C6501	NBE41AM-336X	T CAPACITOR 33μF,10V
C6502	NBE41AM-226X	T CAPACITOR 22μF,10V
C6503	NCBA1CK-103W	CAPACITOR 0.01μF,16V
C6506	NCZ1008-333X	CAPACITOR 0.033μF,250V
C6507	NCZ1019-273X	CAPACITOR 0.027μ,250VF
C6508	NCBA1CK-103W	CAPACITOR 0.01μF,16V
C6509	NCZ1024-103X	CAPACITOR 0.01μF
L6501	NQS0042-001X	SW TRANSF
L6502	NQL302N-100X	COIL 10μH
L6503	NQL044K-470X	COIL 47μH
HD1	LY41512-001A	HOLDER(STR)ASSY
UN1	LY32221-001A	STROBE ASSY
WR1	WJT0047-001A	E-CARD WIRE,CN6501-MAIN CN109
J6501	QUB490-02A2A2	WIRE,STROBE ASSY
J6502	QUB499-02A2A2	WIRE,STROBE ASSY
CN6501	QGF0513F1-12X	FPC CONNECTOR
OT1	LY30029-0F8B	SPACER(A)
OT2	QEZ0450-326	E CAPACITOR 32μF
OT3	LY30018-037A	SPECIAL SCREW
△ OT4	LY43101-001A	SHEET(ST.PWB)
OT5	LY41409-002A	SPACER(STROBE)
OT6	LY30029-0G7A	SPACER(A)
OT7	LY30029-0H2A	SPACER(A)

#	△ REF No.	PART No.	PART NAME, DESCRIPTION

AUDIO BOARD ASSEMBLY <08>			
	PW2	YB10320A2-02	AUDIO BOARD ASSY,DVM75U
		YB10320B2-02	AUDIO BOARD ASSY,DVM55U
	IC2101	AK4550VT	IC
	IC2151	AK4550VT	IC,DVM75U
	IC2201	LA74202W	IC
	IC2301	BA4510FV	IC,DVM75U
	IC2751	TC74HC4052AFT	IC,DVM75U
	IC2752	TC7S66FU	IC(DIGITAL),DVM75U
	Q2151	UMX18N	PAIR TRANSISTOR,DVM75U
	Q2302	2SC4617/QR/-X	TRANSISTOR,DVM75U
	Q2401	2SC4617/QR/-X	TRANSISTOR
	Q2402	2SA1774/QR/-X	TRANSISTOR
	Q2403	DTC144EE	TRANSISTOR
	Q2601	2SC4617/QR/-X	TRANSISTOR
	Q2602	2SC4617/QR/-X	TRANSISTOR
	Q2701	UMX1N	PAIR TRANSISTOR
		or PUMX1	PAIR TRANSISTOR
	Q2751	2SA1774/QR/-X	TRANSISTOR,DVM75U
	Q2752	DTA144EE	TRANSISTOR,DVM75U
		or PDA144EE	TRANSISTOR,DVM75U
		or UN9113J	TRANSISTOR,DVM75U
		or RN2104	TRANSISTOR,DVM75U
	Q2753	DTC144EE	TRANSISTOR,DVM75U
		or PDTC144EE	TRANSISTOR,DVM75U
		or UN9213J	TRANSISTOR,DVM75U
		or RN1104	TRANSISTOR,DVM75U
	Q2754	DTC144EE	TRANSISTOR,DVM75U
		or PDTC144EE	TRANSISTOR,DVM75U
		or UN9213J	TRANSISTOR,DVM75U
		or RN1104	TRANSISTOR,DVM75U
	Q2755	2SC4617/QR/-X	TRANSISTOR,DVM75U
	Q2756	UMC4N	TRANSISTOR,DVM75U
	Q2758	UMX18N	PAIR TRANSISTOR,DVM75U
		or PUMX1	PAIR TRANSISTOR,DVM75U
	Q2759	2SC4617/QR/-X	TRANSISTOR,DVM75U
	D2701	DAN222	DIODE
	D2751	DA221	DIODE,DVM75U
	D2752	DA221	DIODE,DVM75U
	D2753	DA221	DIODE,DVM75U
	D2754	DA221	DIODE,DVM75U
	R2001	NRVA6AD-103W	CMF RESISTOR 10kΩ,1/16W
	R2002	NRVA6AD-152W	CMF RESISTOR 1.5kΩ,1/16W
	R2003	NRVA6AD-182W	CMF RESISTOR 1.8kΩ,1/16W
	R2004	NRVA6AD-272W	CMF RESISTOR 2.7kΩ,1/16W
	R2101	NRSA6AJ-471W	MG RESISTOR 470Ω,1/16W
	R2102	NRSA6AJ-471W	MG RESISTOR 470Ω,1/16W
	R2103	NRSA6AJ-0R0W	MG RESISTOR 0Ω,1/16W
	R2151	NRSA6AJ-471W	MG RESISTOR,DVM75U 470Ω,1/16W
	R2152	NRSA6AJ-471W	MG RESISTOR,DVM75U 470Ω,1/16W
	R2153	NRSA6AJ-0R0W	MG RESISTOR,DVM75U 0Ω,1/16W
	R2154	NRSA6AJ-0R0W	MG RESISTOR,DVM75U 0Ω,1/16W
	R2157	NRSA6AJ-0R0W	MG RESISTOR,DVM75U 0Ω,1/16W
	R2158	NRSA6AJ-332W	MG RESISTOR,DVM75U 3.3kΩ,1/16W
	R2159	NRSA6AJ-564W	MG RESISTOR,DVM75U 560kΩ,1/16W
	R2160	NRSA6AJ-564W	MG RESISTOR,DVM75U 560kΩ,1/16W
	R2161	NRSA6AJ-103W	MG RESISTOR,DVM75U 10kΩ,1/16W
	R2162	NRSA6AJ-103W	MG RESISTOR,DVM75U 10kΩ,1/16W
	R2201	NRSA6AJ-103W	MG RESISTOR,DVM75U 10kΩ,1/16W
	R2202	NRSA6AJ-103W	MG RESISTOR,DVM75U 10kΩ,1/16W

#	△ REF No.	PART No.	PART NAME, DESCRIPTION
	R2203	NRSA6AJ-473W	MG RESISTOR,DVM75U 47kΩ,1/16W
	R2204	NRSA6AJ-473W	MG RESISTOR,DVM75U 47kΩ,1/16W
	R2206	NRSA6AJ-472W	MG RESISTOR 4.7kΩ,1/16W
	R2207	NRSA6AJ-0R0W	MG RESISTOR 0Ω,1/16W
	R2209	NRSA6AJ-2R7W	MG RESISTOR 2.7Ω,1/16W
	R2210	NRSA6AJ-2R7W	MG RESISTOR 2.7Ω,1/16W
	R2211	NRSA6AJ-0R0W	MG RESISTOR 0Ω,1/16W
	R2212	NRSA6AJ-472W	MG RESISTOR 4.7kΩ,1/16W
	R2213	NRSA6AJ-823W	MG RESISTOR 82kΩ,1/16W
	R2214	NRSA6AJ-392W	MG RESISTOR 3.9kΩ,1/16W
	R2215	NRSA6AJ-0R0W	MG RESISTOR 0Ω,1/16W
	R2218	NRSA6AJ-103W	MG RESISTOR 10kΩ,1/16W
	R2219	NRSA6AJ-102W	MG RESISTOR 1kΩ,1/16W
	R2220	NRSA6AJ-102W	MG RESISTOR 1kΩ,1/16W
	R2221	NRSA6AJ-0R0W	MG RESISTOR 0Ω,1/16W
	R2301	NRSA6AJ-560W	MG RESISTOR,DVM75U 56Ω,1/16W
	R2302	NRSA6AJ-560W	MG RESISTOR,DVM75U 56Ω,1/16W
	R2303	NRSA6AJ-0R0W	MG RESISTOR,DVM75U 0Ω,1/16W
	R2305	NRSA6AJ-183W	MG RESISTOR,DVM75U 18kΩ,1/16W
	R2306	NRSA6AJ-183W	MG RESISTOR,DVM75U 18kΩ,1/16W
	R2307	NRSA6AJ-183W	MG RESISTOR,DVM75U 18kΩ,1/16W
	R2308	NRSA6AJ-183W	MG RESISTOR,DVM75U 18kΩ,1/16W
	R2309	NRSA6AJ-184W	MG RESISTOR,DVM75U 180kΩ,1/16W
	R2310	NRSA6AJ-184W	MG RESISTOR,DVM75U 180kΩ,1/16W
	R2311	NRSA6AJ-473W	MG RESISTOR,DVM75U 47kΩ,1/16W
	R2312	NRSA6AJ-473W	MG RESISTOR,DVM75U 47kΩ,1/16W
	R2313	NRSA6AJ-473W	MG RESISTOR,DVM75U 47kΩ,1/16W
	R2314	NRSA6AJ-473W	MG RESISTOR,DVM75U 47kΩ,1/16W
	R2315	NRSA63J-0R0X	MG RESISTOR,DVM75U 0Ω,1/16W
	R2316	NRSA63J-0R0X	MG RESISTOR,DVM75U 0Ω,1/16W
	R2319	NRSA6AJ-0R0W	MG RESISTOR,DVM75U 0Ω,1/16W
	R2320	NRSA6AJ-0R0W	MG RESISTOR,DVM75U 0Ω,1/16W
	R2325	NRSA6AJ-104W	MG RESISTOR,DVM75U 100kΩ,1/16W
	R2326	NRSA6AJ-104W	MG RESISTOR,DVM75U 100kΩ,1/16W
	R2327	NRSA6AJ-102W	MG RESISTOR,DVM75U 1kΩ,1/16W
	R2328	NRSA6AJ-103W	MG RESISTOR,DVM75U 10kΩ,1/16W
	R2402	NRSA6AJ-473W	MG RESISTOR 47kΩ,1/16W
	R2403	NRSA6AJ-332W	MG RESISTOR 3.3kΩ,1/16W
	R2404	NRSA6AJ-822W	MG RESISTOR 8.2kΩ,1/16W
	R2406	NRSA6AJ-473W	MG RESISTOR 47kΩ,1/16W
	R2409	NRSA63J-0R0X	MG RESISTOR 0Ω,1/16W
	R2413	NRSA63J-0R0X	MG RESISTOR 0Ω,1/16W
	R2414	NRSA6AJ-560W	MG RESISTOR 56Ω,1/16W
	R2415	NRSA6AJ-560W	MG RESISTOR 56Ω,1/16W
	R2601	NRSA6AJ-222W	MG RESISTOR 2.2kΩ,1/16W
	R2602	NRSA6AJ-222W	MG RESISTOR 2.2kΩ,1/16W
	R2603	NRSA6AJ-472W	MG RESISTOR 4.7kΩ,1/16W
	R2604	NRSA6AJ-472W	MG RESISTOR 4.7kΩ,1/16W
	R2605	NRSA6AJ-682W	MG RESISTOR 6.8kΩ,1/16W
	R2606	NRSA6AJ-682W	MG RESISTOR 6.8kΩ,1/16W
	R2609	NRSA6AJ-472W	MG RESISTOR 4.7kΩ,1/16W
	R2610	NRSA6AJ-472W	MG RESISTOR 4.7kΩ,1/16W
	R2611	NRSA6AJ-472W	MG RESISTOR 4.7kΩ,1/16W
	R2612	NRSA6AJ-472W	MG RESISTOR 4.7kΩ,1/16W
	R2613	NRSA6AJ-332W	MG RESISTOR 3.3kΩ,1/16W
	R2614	NRSA6AJ-332W	MG RESISTOR 3.3kΩ,1/16W
	R2615	NRSA6AJ-123W	MG RESISTOR 12kΩ,1/16W
	R2616	NRSA6AJ-123W	MG RESISTOR 12kΩ,1/16W
	R2617	NRSA6AJ-333W	MG RESISTOR 33kΩ,1/16W
	R2618	NRSA6AJ-333W	MG RESISTOR 33kΩ,1/16W
	R2619	NRSA6AJ-153W	MG RESISTOR 15kΩ,1/16W
	R2620	NRSA6AJ-153W	MG RESISTOR 15kΩ,1/16W
	R2621	NRSA6AJ-153W	MG RESISTOR 15kΩ,1/16W

#	△ REF No.	PART No.	PART NAME, DESCRIPTION	#	△ REF No.	PART No.	PART NAME, DESCRIPTION
R2622		NRSA6AJ-153W	MG RESISTOR 15kΩ,1/16W	C2217		NCBA1CK-103W	CAPACITOR 0.01μF,16V
R2623		NRSA6AJ-0R0W	MG RESISTOR,DVM55U 0Ω,1/16W	C2219		NCB21CK-105X	CAPACITOR 1μF,16V
R2624		NRSA6AJ-0R0W	MG RESISTOR,DVM55U 0Ω,1/16W	C2220		NRSA63J-0R0X	MG RESISTOR 0Ω,1/16W
R2701		NRSA6AJ-564W	MG RESISTOR 560kΩ,1/16W	C2221		NCB30JK-105X	CAPACITOR 1μF,6.3V
R2702		NRSA6AJ-564W	MG RESISTOR 560kΩ,1/16W	C2222		NCB30JK-105X	CAPACITOR 1μF,6.3V
R2703		NRSA6AJ-821W	MG RESISTOR 820Ω,1/16W	C2223		NCBA1AK-104W	CAPACITOR,DVM55U 0.1μF,10V
R2704		NRSA6AJ-821W	MG RESISTOR 820Ω,1/16W	C2224		NCBA1AK-104W	CAPACITOR,DVM55U 0.1μF,10V
R2705		NRSA6AJ-0R0W	MG RESISTOR,DVM55U 0Ω,1/16W	C2301		NBE20JM-106X	T CAPACITOR,DVM75U 10μF,6.3V
R2706		NRSA6AJ-0R0W	MG RESISTOR,DVM55U 0Ω,1/16W	C2303		NCB30JK-105X	CAPACITOR,DVM75U 1μF,6.3V
R2707		NRSA6AJ-332W	MG RESISTOR 3.3kΩ,1/16W	C2304		NCB30JK-105X	CAPACITOR,DVM75U 1μF,6.3V
R2751		NRSA6AJ-820W	MG RESISTOR,DVM75U 82Ω,1/16W	C2305		NCB30JK-105X	CAPACITOR,DVM75U 1μF,6.3V
R2752		NRSA6AJ-820W	MG RESISTOR,DVM75U 82Ω,1/16W	C2306		NCB30JK-105X	CAPACITOR,DVM75U 1μF,6.3V
R2753		NRSA6AJ-182W	MG RESISTOR,DVM75U 1.8kΩ,1/16W	C2307		NCB30JK-105X	CAPACITOR,DVM75U 1μF,6.3V
R2755		NRSA6AJ-222W	MG RESISTOR,DVM75U 2.2kΩ,1/16W	C2308		NCB30JK-105X	CAPACITOR,DVM75U 1μF,6.3V
R2756		NRSA6AJ-564W	MG RESISTOR,DVM75U 560kΩ,1/16W	C2311		NCB31CK-104X	CAPACITOR,DVM75U 0.1μF,16V
R2757		NRSA6AJ-0R0W	MG RESISTOR,DVM75U 0Ω,1/16W	C2312		NCB30JK-105X	CAPACITOR,DVM75U 1μF,6.3V
R2758		NRSA6AJ-102W	MG RESISTOR,DVM75U 1kΩ,1/16W	C2402		NBE20JM-106X	T CAPACITOR 10μF,6.3V
R2759		NRSA6AJ-103W	MG RESISTOR,DVM75U 10kΩ,1/16W	C2405		NBE41AM-106X	T CAPACITOR 10μF,10V
R2760		NRSA6AJ-104W	MG RESISTOR,DVM75U 100kΩ,1/16W	C2407		NBE40JM-476X	T CAPACITOR 47μF,6.3V
R2761		NRSA6AJ-221W	MG RESISTOR,DVM75U 220Ω,1/16W	C2603		NCB31CK-223X	CAPACITOR 0.022μF,16V
R2762		NRSA6AJ-100W	MG RESISTOR,DVM75U 10Ω,1/16W	C2604		NCB31CK-223X	CAPACITOR 0.022μF,16V
R2763		NRSA6AJ-104W	MG RESISTOR,DVM75U 100kΩ,1/16W	C2605		NCB31CK-104X	CAPACITOR 0.1μF,16V
R2764		NRSA6AJ-221W	MG RESISTOR,DVM75U 220Ω,1/16W	C2606		NCB31CK-104X	CAPACITOR 0.1μF,16V
R2765		NRSA6AJ-0R0W	MG RESISTOR,DVM75U 0Ω,1/16W	C2607		NBE20JM-475X	T CAPACITOR 4.7μF,6.3V
R2767		NRSA6AJ-332W	MG RESISTOR,DVM75U 3.3kΩ,1/16W	C2608		NBE20JM-475X	T CAPACITOR 4.7μF,6.3V
R2768		NRSA6AJ-103W	MG RESISTOR,DVM75U 10kΩ,1/16W	C2609		NCB31CK-273X	CAPACITOR 0.027μF,16V
R2770		NRSA6AJ-103W	MG RESISTOR,DVM75U 10kΩ,1/16W	C2610		NCB31CK-273X	CAPACITOR 0.027μF,16V
R2771		NRSA6AJ-103W	MG RESISTOR,DVM75U 10kΩ,1/16W	C2613		NCB31CK-333X	CAPACITOR 0.033μF,16V
R2772		NRSA6AJ-103W	MG RESISTOR,DVM75U 10kΩ,1/16W	C2614		NCB31CK-333X	CAPACITOR 0.033μF,16V
R2773		NRSA6AJ-822W	MG RESISTOR,DVM75U 8.2kΩ,1/16W	C2615		NCBA1HK-332W	CAPACITOR 0.0033μF,50V
R2774		NRSA6AJ-822W	MG RESISTOR,DVM75U 8.2kΩ,1/16W	C2616		NCBA1HK-332W	CAPACITOR 0.0033μF,50V
C2101		NCB30JK-105X	CAPACITOR 1μF,6.3V	C2619		NCBA1HK-152W	CAPACITOR 0.0015μF,50V
C2102		NCB30JK-105X	CAPACITOR 1μF,6.3V	C2620		NCBA1HK-152W	CAPACITOR 0.0015μF,50V
C2103		NCBA1HK-222W	CAPACITOR 0.0022μF,50V	C2621		NCB31EK-103X	CAPACITOR 0.01μF,25V
C2104		NCBA1HK-222W	CAPACITOR 0.0022μF,50V	C2622		NCB31EK-103X	CAPACITOR 0.01μF,25V
C2105		NBE20JM-475X	T CAPACITOR 4.7μF,6.3V	C2623		NCB30JK-105X	CAPACITOR 1μF,6.3V
C2106		NCB31CK-104X	CAPACITOR 0.1μF,16V	C2624		NCB30JK-105X	CAPACITOR 1μF,6.3V
C2107		NCB31CK-104X	CAPACITOR 0.1μF,16V	C2625		NCB31CK-104X	CAPACITOR 0.1μF,16V
C2108		NBE20JM-106X	T CAPACITOR 10μF,6.3V	C2626		NCB31CK-104X	CAPACITOR 0.1μF,16V
C2151		NCB30JK-105X	CAPACITOR,DVM75U 1μF,6.3V	C2627		NBE20GM-336X	T CAPACITOR 33μF,4.0V
C2152		NCB30JK-105X	CAPACITOR,DVM75U 1μF,6.3V	C2751		NBE20JM-106X	T CAPACITOR,DVM75U 10μF,6.3V
C2153		NCBA1HK-222W	CAPACITOR,DVM75U 0.0022μF,50V	C2752		NBE21AM-106X	T CAPACITOR,DVM75U 10μF,10V
C2154		NCBA1HK-222W	CAPACITOR,DVM75U 0.0022μF,50V	C2753		NBE40JM-476X	T CAPACITOR,DVM75U 47μF,6.3V
C2155		NBE20JM-475X	T CAPACITOR,,DVM75U 4.7μF,6.3V	C2754		NDCA1HJ-101W	CAPACITOR,DVM75U 100pF,50V
C2156		NCB31CK-104X	CAPACITOR,DVM75U 0.1μF,16V	C2755		NCB30JK-105X	CAPACITOR,DVM75U 1μF,6.3V
C2157		NCB31CK-104X	CAPACITOR,DVM75U 0.1μF,16V	C2757		NCB31CK-473X	CAPACITOR,DVM75U 0.047μF,16V
C2163		NCB30JK-105X	CAPACITOR,DVM75U 1μF,6.3V	C2758		NCB31CK-104X	CAPACITOR,DVM75U 0.1μF,16V
C2164		NCB30JK-105X	CAPACITOR,DVM75U 1μF,6.3V	L2101		NQL402M-100X	COIL 10μH
C2201		NCB20JK-225X	CAPACITOR 2.2μF,6.3V	L2402		NQL315K-220X	COIL 22μH
C2202		NCB20JK-225X	CAPACITOR 2.2μF,6.3V	L2601		NRSA63J-0R0X	MG RESISTOR 0Ω,1/16W
C2203		NCB21CK-474X	CAPACITOR,DVM75U 0.47μF,16V	L2602		NRSA63J-0R0X	MG RESISTOR 0Ω,1/16W
C2204		NCB21CK-474X	CAPACITOR,DVM75U 0.47μF,16V	L2603		NRSA63J-0R0X	MG RESISTOR 0Ω,1/16W
C2205		NCBA1AK-104W	CAPACITOR 0.1μF,10V	S2001		NSW0120-002X	PUSH SWITCH,EJECT SW
C2206		NCBA1AK-104W	CAPACITOR 0.1μF,10V	S2002		NSW0105-001X	DETECT SWITCH,DSC SW,DVM75U
C2207		NBE20JM-106X	T CAPACITOR 10μF,6.3V	S7001		NSW0120-002X	PUSH SWITCH,VF ON SW
C2208		NBE20JM-106X	T CAPACITOR 10μF,6.3V	CN801		QGB0405M1-80X	CONNECTOR
C2210		NBE20JM-475X	T CAPACITOR 4.7μF,6.3V	CN803		QGF0517F1-06X	FPC CONNECTOR
C2211		NBE20JM-106X	T CAPACITOR 10μF,6.3V	CN804		QGA1001F1-04X	CONNECTOR
C2212		NCBA1AK-104W	CAPACITOR 0.1μF,10V	CN805		QGF0508F1-16X	FPC CONNECTOR
C2213		NBE40JM-476X	T CAPACITOR 47μF,6.3V	OT1		LY30029-0E4A	SPACER(A),DVM55U
C2214		NBE20JM-106X	T CAPACITOR 10μF,6.3V	OT2		LY30029-0H6B	SPACER(A),DVM55U
C2215		NCB31CK-104X	CAPACITOR 0.1μF,16V				
C2216		NCB31CK-104X	CAPACITOR 0.1μF,16V				

REF No. PART No. PART NAME, DESCRIPTION

JACK BOARD ASSEMBLY <09>

PW1	YB10323A1	JACK BOARD ASSY	
D2802	MA8068	ZENER DIODE	
R2802	NRSA63J-0R0X	MG RESISTOR	0Ω,1/16W
R2803	NRSA63J-0R0X	MG RESISTOR	0Ω,1/16W
R2806	NRSA63J-0R0X	MG RESISTOR	0Ω,1/16W
L2801	NQR0251-004X	FERRITE BEAD	
L2802	NQR0251-004X	FERRITE BEAD	
L2803	NQR0251-004X	FERRITE BEAD	
J901	QNS0078-001	3.5 JACK	
J902	QNA0027-001	DC JACK	
CN901	QGF0507F3-18X	FFC/FPC CONNECTOR	

W/B BOARD ASSEMBLY <11>

PW3	YB10320A3	W/B BOARD ASSY	
Q1151	RPM-22PB	PHOTO TRANSISTOR	
R1151	NRSA63J-302X	MG RESISTOR	3kΩ,1/16W
C1151	NBE90JM-106X	T CAPACITOR	10μF,6.3V
C1152	NCB21EK-683X-R	CAPACITOR	0.068μF,25V
L1151	NQR0265-001X	FERRITE BEAD	
WR1	WJM0144-001A	E-SI C WIRE C-F, MAIN CN104	

REF No. PART No. PART NAME, DESCRIPTION